



MODEL:

PPC2-Cxxx-ADL Series

Panel PC equips 12th Gen Intel® Core™ i9/i7/i5/i3 or Pentium® Processor, Dual-Channel DDR4 SO-DIMM, One M.2 E Key & One M.2 M Key Expansion Slots, SATA 6Gb/s, IP 65 Compliant Front Panel and RoHS Compliant

User Manual

Revision

Date	Version	Changes
March 28, 2023	1.00	Initial release



Safety Instructions

- en** Warning! Read the user manual before connecting the system to the power source.
- de** Vorsicht! Bitte lesen Sie die Bedienungsanleitung, bevor Sie das System an eine Stromquelle anschließen.
- fr** Attention! Avant de brancher le système à la source d'alimentation, consultez le mode d'emploi.
- it** Avvertenza! Consultare il manuale utente prima di collegare il sistema all'alimentatore.
- es** Atención! Lea atentamente este manual del usuario antes de operar la fuente de alimentación.
- zh** 警告! 在將系統連接到電源之前, 請仔細閱讀使用手冊。
- cn** 警告! 在將系統連接到電源之前, 請仔細閱讀使用手冊。
-

- en** Warning! To prevent the system from overheating, do not operate it in an area that exceeds the maximum operating temperature described in the user manual.
- de** Vorsicht! Um eine Überhitzung des Systems zu vermeiden, betreiben Sie es ausschließlich im zulässigen Betriebstemperaturbereich. Dieser ist in der Bedienungsanleitung vermerkt.
- fr** Attention! Pour éviter la surchauffe du système, ne l'utilisez pas dans une zone dont la température dépasse les limites décrits dans le mode d'emploi.
- it** Avvertenza! Per evitare che il sistema si surriscaldi, non utilizzarlo in aree che superino la temperatura massima d'esercizio descritta nel manuale utente.
- es** Atención! Para evitar el excesivo calentamiento del sistema, no opere en las condiciones de temperatura superior a lo recomendado en este manual del usuario.
- zh** 警告! 為防止系統過熱, 不要在使用手冊上記載的產品工作溫度範圍之外操作此系統。
- cn** 警告! 為防止系統過熱, 不要在使用手冊上記載的產品工作溫度範圍之外操作此系統。
-

-
- en** Warning! Ultimate disposal of this product should be handled according to all national laws and regulations.
 - de** Vorsicht! Die Entsorgung dieses Produkts sollte gemäß allen Bestimmungen und Gesetzen des Landes erfolgen.
 - fr** Attention! La mise au rebut ou le recyclage de ce produit sont généralement soumis aux lois et/ou directives de respect de l'environnement. Renseignez-vous auprès de l'organisme compétent.
 - it** Avvertenza! Lo smaltimento di questo prodotto deve essere eseguito secondo le leggi e i regolamenti locali.
 - es** Atención! La disposición final de residuos de este producto se debe cumplir con las normativas y leyes del país.
 - zh** 警告! 本產品的廢棄處理應根據該國家的法律和規章進行。
 - cn** 警告! 本产品的废弃处理应根据该国家的法律和规章进行。
-

Copyright

COPYRIGHT NOTICE

The information in this document is subject to change without prior notice in order to improve reliability, design and function and does not represent a commitment on the part of the manufacturer.

In no event will the manufacturer be liable for direct, indirect, special, incidental, or consequential damages arising out of the use or inability to use the product or documentation, even if advised of the possibility of such damages.

This document contains proprietary information protected by copyright. All rights are reserved. No part of this manual may be reproduced by any mechanical, electronic, or other means in any form without prior written permission of the manufacturer.

TRADEMARKS

All registered trademarks and product names mentioned herein are used for identification purposes only and may be trademarks and/or registered trademarks of their respective owners.

Manual Conventions

**WARNING**

Warnings appear where overlooked details may cause damage to the equipment or result in personal injury. Warnings should be taken seriously.

**CAUTION**

Cautionary messages should be heeded to help reduce the chance of losing data or damaging the product.

**NOTE**

These messages inform the reader of essential but non-critical information. These messages should be read carefully as any directions or instructions contained therein can help avoid making mistakes.

Table of Contents

1 INTRODUCTION.....	1
1.1 OVERVIEW.....	2
1.2 MODEL VARIATIONS	3
1.3 FEATURES.....	3
1.4 FRONT PANEL.....	4
1.5 REAR PANEL	4
1.6 BOTTOM PANEL	5
1.7 TECHNICAL SPECIFICATIONS	5
1.8 DIMENSIONS.....	9
1.8.1 PPC2-C15-ADL Dimensions	9
1.8.2 PPC2-CW15-ADL Dimensions.....	10
1.8.3 PPC2-C17-ADL Dimensions	11
1.8.4 PPC2-C19-ADL Dimensions	12
1.8.5 PPC2-CW19-ADL Dimensions.....	13
1.8.6 PPC2-CW22-ADL Dimensions.....	14
2 UNPACKING	15
2.1 UNPACKING.....	16
2.2 PACKING LIST	17
2.3 OPTIONAL ITEMS.....	18
3 INSTALLATION	19
3.1 ANTI-STATIC PRECAUTIONS.....	20
3.2 INSTALLATION PRECAUTIONS	20
3.3 PREINSTALLED COMPONENTS.....	21
3.4 INSTALLATION PROCEDURE	21
3.5 REMOVING THE REAR COVER	22
3.6 SOLID-STATE DRIVE INSTALLATION	23
3.7 DIMM INSTALLATION (OPTIONAL)	25
3.8 M.2 INSTALLATION (OPTIONAL).....	26
3.9 AT/ATX MODE SELECTION.....	28

3.10 MOUNTING THE SYSTEM	29
3.10.1 Wall Mounting.....	29
3.10.2 Panel and Rack Installation.....	31
3.10.3 Arm Mounting	35
3.10.4 Stand Mounting.....	37
3.11 SERIAL DEVICE CONNECTION.....	38
3.11.1 RS-232 Serial Ports.....	38
3.11.2 RS-232/422/485 Serial Port	39
3.12 POWER-ON PROCEDURE.....	39
3.12.1 Installation Checklist	39
3.12.2 Power-on Procedure	40
3.13 RESET THE SYSTEM	40
3.14 CLEAR CMOS.....	40
3.15 SOFTWARE INSTALLATION	41
3.15.1 Driver Download	41
4 SYSTEM MAINTENANCE	44
4.1 PPC-CXXX-ADL SYSTEM MAINTENANCE OVERVIEW.....	45
4.2 SYSTEM TROUBLESHOOTING.....	45
4.2.1 The System Doesn't Turn On.....	45
4.2.2 The System Doesn't Boot Up.....	46
4.2.3 More Troubleshooting.....	46
4.3 COMPONENT REPLACEMENT	47
5 INTERFACE CONNECTORS	48
5.1 PERIPHERAL INTERFACE CONNECTORS.....	49
5.2 INTERNAL PERIPHERAL CONNECTORS	50
5.2.1 ATX Power Input Connector (ATX1)	50
5.2.2 Battery Connector (BAT1)	51
5.2.3 Chassis Intrusion (CHASSIS1)	51
5.2.4 Fan Connectors (CPU_FAN1/2, SYS_FAN1/2)	51
5.2.5 Mini SATA Connectors (CN1, CN2).....	51
5.2.6 CPU Power Connector (CPU12V1)	52
5.2.7 Debug Connector (DEBUG_SPI1)	52
5.2.8 DMC6000 Connector (DMC6000_CN1).....	52

PPC2-Cxxx-ADL Series Panel PC

5.2.9 EC Flash Connector (EC_SPI1)	52
5.2.10 I2C Connector (I2C1)	53
5.2.11 IDPM Slot (IDPM1)	53
5.2.12 ME Flash Connector (FLASH1)	54
5.2.13 M.2 M-Key Slot (NGFF1)	54
5.2.14 M.2 A-Key Slot (NGFF4)	55
5.2.15 SATA 6Gb/s Connector (S_ATA1)	56
5.2.16 SATA Power Connector (SATA_PWRI)	57
5.2.17 Touch Panel Connector (TOUCH_USB1)	57
5.2.18 USB 2.0 Connector (USB_CN4)	57
5.2.19 SPI Flash Connector (JSPI1)	57
5.2.20 VR Power Debug Connector (J1)	58
5.2.21 Power Button Connector (JP2)	58
5.2.22 HDD LED Connector (JP3)	58
A REGULATORY COMPLIANCE	59
B SAFETY PRECAUTIONS	64
<i>B.1.1 Safety Precautions</i>	<i>65</i>
B.1.1.1 General Safety Precautions	65
B.1.1.2 Anti-static Precautions	66
B.1.1.3 Product Disposal	67
<i>B.1.2 Maintenance and Cleaning Precautions</i>	<i>67</i>
B.1.2.1 Maintenance and Cleaning	68
B.1.2.2 Cleaning Tools	68
C WATCHDOG TIMER	70
D HAZARDOUS MATERIALS DISCLOSURE	73
<i>D.1.1 RoHS II Directive (2015/863/EU)</i>	<i>74</i>
<i>D.1.2 China RoHS</i>	<i>75</i>

List of Figures

Figure 1-1: PPC-Cxxx-ADL Panel PC.....	2
Figure 1-2: Front Panel	4
Figure 1-3: Rear View	4
Figure 1-4: Bottom Panel	5
Figure 1-5: PPC2-C15-ADL Dimensions (Unit: mm).....	9
Figure 1-6: PPC2-CW15-ADL Dimensions (Unit: mm)	10
Figure 1-7: PPC2-C17-ADL Dimensions (Unit: mm).....	11
Figure 1-8: PPC2-C19-ADL Dimensions (Unit: mm).....	12
Figure 1-9: PPC2-CW19-ADL Dimensions (Unit: mm)	13
Figure 1-10: PPC2-CW22-ADL Dimensions (Unit: mm)	14
Figure 3-1: PPC2-Cxxx-ADL Series Back Cover Retention Screws	22
Figure 3-2: HDD Bracket Retention Screws.....	23
Figure 3-3: HDD Retention Screws	24
Figure 3-4: Install the HDD and Bracket.....	24
Figure 3-5: SATA Cable.....	24
Figure 3-6: DIMM Slot Locations.....	25
Figure 3-7: DIMM Installation.....	25
Figure 3-8: M.2 Slot Locations	26
Figure 3-9: Press the End of The M.2 Retaining Clip	27
Figure 3-10: Insert M.2 Card	27
Figure 3-11: Securing the M.2 Card	28
Figure 3-12: AT/ATX Mode Selection.....	28
Figure 3-13: Wall-mounting Bracket	30
Figure 3-14: Mount the Chassis	31
Figure 3-15: Secure the Chassis	31
Figure 3-16: PPC2-C15-ADL Panel Cutout Dimensions.....	32
Figure 3-17: PPC2-CW15-ADL Panel Cutout Dimensions	32
Figure 3-18: PPC2-C17-ADL Panel Cutout Dimensions.....	32
Figure 3-19: PPC2-C19-ADL Panel Cutout Dimensions.....	33
Figure 3-20: PPC2-CW19-ADL Panel Cutout Dimensions	33
Figure 3-21: PPC2-CW22-ADL Panel Cutout Dimensions	33

PPC2-Cxxx-ADL Series Panel PC

Figure 3-22: Machine mounted to panel.....	34
Figure 3-23: Installation Panel Mount Kit.....	34
Figure 3-24: Tighten the Mounting Screws.....	35
Figure 3-25: Install into a Rack.....	35
Figure 3-26: Arm Mounting Retention Screw Holes.....	36
Figure 3-27: Arm Mounting (ARM-11-RS).....	37
Figure 3-28: Stand Mounting Retention Screw Holes.....	37
Figure 3-29: Stand Mounting.....	38
Figure 3-30: Serial Port Locations of PPC2-C15/CW15/C17/C19/CW19/CW22-ADL.....	38
Figure 3-31: Power Switch.....	40
Figure 3-32: Reset Button Location.....	40
Figure 3-33: Clear CMOS Button Location.....	41
Figure 3-34: IEI Resource Download Center.....	41
Figure 5-1: Main Board Layout Diagram (Front Side).....	49
Figure 5-2: Main Board Layout Diagram (Solder Side).....	49

List of Tables

Table 1-1: Model Variations	3
Table 1-2: PPC2-C15/CW15/C17-ADL Specifications	6
Table 1-3: PPC2-CW19/C19/CW22-ADL Specifications	8
Table 2-1: Package List	17
Table 2-2: Optional Items	18
Table 3-1: AT/ATX Mode Selection	28
Table 3-2: RS-232 Serial Port Pinouts	39
Table 3-3: RS-232/422/485 Serial Port (COM3) Pinouts	39
Table 5-1: Peripheral Interface Connectors	50
Table 5-2: ATX Power Source Connector (ATX1) Pinouts	51
Table 5-3: Battery Connector (BAT1) Pinouts	51
Table 5-4: Chassis Intrusion (CHASSIS1) Pinouts	51
Table 5-5: Fan Connectors (CPU_FAN1/2, SYS_FAN1/2) Pinouts	51
Table 5-6: Mini SATA Connectors (CN1, CN2) Pinouts	52
Table 5-7: CPU Power Connector (CPU12V1) Pinouts	52
Table 5-8: Debug Connector (DEBUG_SPI1) Pinouts	52
Table 5-9: DMC6000 Connector (DMC6000_CN1) Pinouts	52
Table 5-10: EC Flash Connector (EC_SPI1) Pinouts	53
Table 5-11: I2C Connector (I2C1) Pinouts	53
Table 5-12: IDPM Slot (IDPM1) Pinouts	54
Table 5-13: ME Flash Connector (FLASH1) Pinouts	54
Table 5-14: M.2 M-KEY Slot (NGFF1) Pinouts	55
Table 5-15: M.2 A-Key Slot (NGFF4) Pinouts	56
Table 5-16 : SATA 6Gb/s Connector (S_ATA1) Pinouts	57
Table 5-17: SATA Power Connector (SATA_PWR1) Pinouts	57
Table 5-18: Touch Panel Connector (TOUCH_USB1) Pinouts	57
Table 5-19: USB 2.0 Connector (USB_CN4) Pinouts	57
Table 5-20: SPI Flash Connector (JSPI1) Pinouts	57
Table 5-21: VR Power IC Debug Connector (J1) Pinouts	58
Table 5-22: Power Button Connector (JP2) Pinouts	58
Table 5-23: HDD LED Connector (JP3) Pinouts	58

Chapter

1

Introduction

1.1 Overview



Figure 1-1: PPC-Cxxx-ADL Panel PC

The PPC-Cxxx-ADL panel PC is powered by 12th Gen Intel® Core™ i9/i7/i5/i3 and Pentium® Processor.

The PPC-Cxxx-ADL is a heavy industrial panel PC with rugged and trendy design which can be applied in harsh industrial environments and enriches aesthetic experience at the same time.

The major external device connections include USB 3.2 Gen 2 (10Gb/s), USB 2.0, serial port, VGA and HDMI connectors. The PPC-Cxxx-ADL has one PCIe Gen4 x16 slot, one M.2 E-key and one M.2 M-key slots, allowing installation of a wide variety of PCIe card solutions, such as a Wi-Fi module and graphics card.

PPC2-Cxxx-ADL Series Panel PC

1.2 Model Variations

The model variations of the PPC2-Cxxx-ADL Series panel PC series are listed below.

Model	Size	Resolutions	Processor
PPC2-C15-ADL-P/4G-R10	15"	1024x768	Intel® Pentium® Gold G7400
PPC2-C15-ADL-i3/4G-R10	15"	1024x768	Intel® Core™ i3-12100
PPC2-C15-ADL-i5/4G-R10	15"	1024x768	Intel® Core™ i5-12400
PPC2-C15-ADL-i7/4G-R10	15"	1024x768	Intel® Core™ i7-12700
PPC2-C17-ADL-P/4G-R10	17"	1280x1024	Intel® Pentium® Gold G7400
PPC2-C17-ADL-i3/4G-R10	17"	1280x1024	Intel® Core™ i3-12100
PPC2-C17-ADL-i5/4G-R10	17"	1280x1024	Intel® Core™ i5-12400
PPC2-C17-ADL-i7/4G-R10	17"	1280x1024	Intel® Core™ i7-12700
PPC2-CW15-ADL-P/4G-R10	15.6"	1920x1080	Intel® Pentium® Gold G7400
PPC2-CW15-ADL-i3/4G-R10	15.6"	1920x1080	Intel® Core™ i3-12100
PPC2-CW15-ADL-i5/4G-R10	15.6"	1920x1080	Intel® Core™ i5-12400
PPC2-CW15-ADL-i7/4G-R10	15.6"	1920x1080	Intel® Core™ i7-12700
PPC2-C19-ADL-P/4G-R10	19"	1280 x1024	Intel® Pentium® Gold G7400
PPC2-C19-ADL-i3/4G-R10	19"	1280x1024	Intel® Core™ i3-12100
PPC2-C19-ADL-i5/4G-R10	19"	1280x1024	Intel® Core™ i5-12400
PPC2-C19-ADL-i7/4G-R10	19"	1280x1024	Intel® Core™ i7-12700
PPC2-CW19-ADL-P/4G-R10	18.5"	1920x1280	Intel® Pentium® Gold G7400
PPC2-CW19-ADL-i3/4G-R10	18.5"	1920x1280	Intel® Core™ i3-12100
PPC2-CW19-ADL-i5/4G-R10	18.5"	1920x1280	Intel® Core™ i5-12400
PPC2-CW19-ADL-i7/4G-R10	18.5"	1920x1280	Intel® Core™ i7-12700
PPC2-CW22-ADL-P/4G-R10	21.5"	1920x1280	Intel® Pentium® Gold G7400
PPC2-CW22-ADL-i3/4G-R10	21.5"	1920x1280	Intel® Core™ i3-12100
PPC2-CW22-ADL-i5/4G-R10	21.5"	1920x1280	Intel® Core™ i5-12400
PPC2-CW22-ADL-i7/4G-R10	21.5"	1920x1280	Intel® Core™ i7-12700

Table 1-1: Model Variations

1.3 Features

The PPC-Cxxx-ADL has the following features.

- 12th Gen Intel® Core™ i9/i7/i5/i3 or Pentium® Processor
- Two 260-pin 3200 MHz Dual-Channel DDR4 SO-DIMM
- Robust aluminum IP 65 compliant front panel
- One PCIe Gen4 x16 slot, one M.2 E-key and one M.2 M-key slots

- Anti-glare and anti-UV touchscreen
- Support gloved and wet hand operation
- Supports dual 2.5G Ethernet port
- HDMI 2.0 display output
- RoHS compliant design

1.4 Front Panel

The front side of the PPC-Cxxx-ADL (**Figure 1-2**) is a flat panel LCD touchscreen surrounded by an aluminum frame.



Figure 1-2: Front Panel

1.5 Rear Panel

The rear panel has a fan vent, four VESA 100 mounting holes and several retention screws. The VESA 100 mounting holes are circled in **Figure 1-3**.

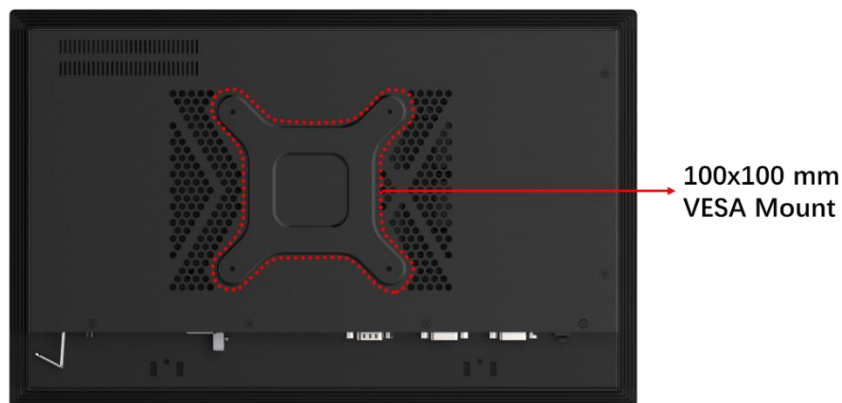


Figure 1-3: Rear View

PPC2-Cxxx-ADL Series Panel PC

1.6 Bottom Panel

An overview of the bottom panel is shown in **Figure 1-4**.

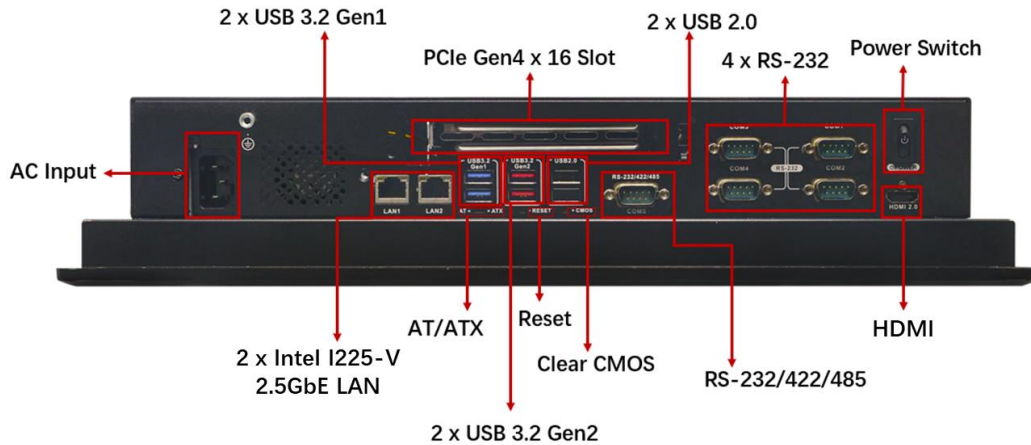


Figure 1-4: Bottom Panel

1.7 Technical Specifications

	PPC2-C15-ADL	PPC2-CW15-ADL	PPC2-C17-ADL
LCD Display	15" (4:3)	15.6" (16:9)	17" (5:4)
Max. Resolution	1024 (W) x 768 (H)	1920 (W) x 1080 (H)	1280 (W) x 1024 (H)
Brightness	450 cd/m ²	400 cd/m ²	350 cd/m ²
Contrast Ratio	800:1	500: 1	800:1
LCD Color	16.2M	16.2M	16.7M
Pixel Pitch (mm)	0.297 x 0.297	0.252 x 0.252	0.26 x 0.26
Viewing Angle (H-V)	160°/150°	170°/160°	170°/160°
Backlight MTBF	70,000 hours	50000 hours	50,000 hours
CPU	12th Gen Intel® Core™ i9/i7/i5/i3 and Pentium® Processor (LGA1700)		
Chipset	Intel® H610		
Graphics Engine	New Intel® Xe Graphics architecture with SRIOV, Genlock		
Display Output	1 x HDMI 2.0		
Memory	Two 260-pin 3200 MHz dual-Channel DDR4 SO-DIMM (Pre-installed 4GB; max. 64GB)		
Touchscreen	Multi-point projected capacitive type		
	Surface hardness: ≥7H		
Touch Controller	Projected capacitive type: EETI 80		
Storage	1 x 2.5" SATA HDD Bay (Height limit: 7.5mm)		

Ethernet	LAN1: Intel® I225 + LAN2: Intel® I225		
Expansion	1 x PCIe Gen4 x16 Slot with x16 Signal 1 x M.2 E-Key 2230 (PCIe Gen3 x1 + CNVio + USB 2.0) 1 x M.2 M Key 2242/2280 NVMe (PCIe Gen3 x4)		
Mounting	VESA 100mm x 100mm		
	Panel, Wall, Rack, Stand and Arm		
Construction Material	Aluminum front cover and sheet metal rear cover		
Enclosure Color	Black C		
I/O Ports, Switches and Buttons	1 x HDMI 2.0 2 x 2.5GbE RJ45 2 x USB 2.0 (Type-A) 2 x USB 3.2 Gen1 (Type-A) (5Gb/s) 2 x USB 3.2 Gen2 (Type-A) (10Gb/s) 1 x RS-232/422/485 (RS-485 support AFC)	4 x RS-232 1 x AC input 1 x Power switch 1 x Clear CMOS button 1 x Reset button 1 x AT/ATX switch	
Power Supply	AC input ATX power supply 250W power supply - Input: 100V~240V AC, 47Hz-63Hz - Output (max.): 3.3V@6A, 5V@12A, 12V@17A, -12V@0.5A, +5Vsb@2A Support AT/ATX mode ErP/EuP Compliant		
Thermal Solution	Smart fan (2 x CPU fan, 2 x System fan)		
TPM	Intel® Platform Trust Technology		
Watchdog Timer	Software Programmable Support 1~255 sec. system reset		
Operating Temperature (with air flow)	-10°C ~ 60°C		
Storage Temperature	-20°C ~ 60°C		
Humidity	10% ~ 95%@40°C, non-condensing		
IP Level	IP 65 compliant front panel		
Operating Vibration	MIL-STD-810F 514.5C-1 (with SSD)		
Operating Shock	Half-sine wave shock 5G; 11ms; 3 shocks per axis		
Safety and EMC	CE, FCC Class A, UKCA		
ErP	ErP 2009/125/EC		
Dimensions (H x W x D) (mm)	378.5 x 303 x 76.16	400.70 x 253.90 x 86.45	408.40 x 341.40 x 84.70
Net Weight	5.715 kg	5.64 kg	5.73 kg

Table 1-2: PPC2-C15/CW15/C17-ADL Specifications

PPC2-Cxxx-ADL Series Panel PC

	PPC2-CW19-ADL	PPC2-C19-ADL	PPC2-CW22-ADL
LCD Display	18.5" (16:9)	19" (5:4)	21.5" (16:9)
Max. Resolution	1920 (W) x 1080 (H)	1280 (W) x 1024 (H)	1920 (W) x 1080 (H)
Brightness	400 cd/m ²	350 cd/m ²	350 cd/m ²
Contrast Ratio	1000:1	41.66736111	1000:1
LCD Color	16.7M	16.7M	16.7M
Pixel Pitch (mm)	0.3 x 0.3	0.294 x 0.294	0.3 x 0.3
Viewing Angle (H-V)	170°/160°	170°/160°	170°/160°
Backlight MTBF	50000 hours	50,000 hours	50000 hours
CPU	12th Gen Intel® Core™ i9/i7/i5/i3 and Pentium® Processor (LGA1700)		
Chipset	Intel® H610		
Graphics Engine	New Intel® Xe Graphics architecture with SRIOV, Genlock		
Display Output	1 x HDMI 2.0		
Memory	Two 260-pin 3200 MHz dual-Channel DDR4 SO-DIMM (Pre-installed 4GB; max. 64GB)		
Touchscreen	Multi-point projected capacitive type Surface hardness: ≥7H		
Touch Controller	Projected capacitive type: EETI 80		
Storage	1 x 2.5" SATA HDD Bay (Height limit: 7.5mm)		
Ethernet	LAN1: Intel® I225 + LAN2: Intel® I225		
Expansion	1 x PCIe Gen4 x16 Slot with x16 Signal 1 x M.2 E-Key 2230 (PCIe Gen3 x1 + CNVio + USB 2.0) 1 x M.2 M Key 2242/2280 NVMe (PCIe Gen3 x4)		
Mounting	VESA 100mm x 100mm Panel, Wall, Rack, Stand and Arm		
Construction Material	Aluminum front cover and sheet metal rear cover		
Enclosure Color	Black C		
I/O Ports, Switches and Buttons	1 x HDMI 2.0 2 x 2.5GbE RJ45 2 x USB 2.0 (Type-A) 2 x USB 3.2 Gen1 (Type-A) (5Gb/s) 2 x USB 3.2 Gen2 (Type-A) (10Gb/s) 1 x RS-232/422/485 (RS-485 support AFC)		4 x RS-232 1 x AC input 1 x Power switch 1 x Clear CMOS button 1 x Reset button 1 x AT/ATX switch
Power Supply	AC input ATX power supply 250W power supply - Input: 100V~240V AC, 47Hz-63Hz - Output (max.): 3.3V@6A, 5V@12A, 12V@17A, -12V@0.5A, +5Vsb@2A Support AT/ATX mode ErP/EuP Compliant		
Thermal Solution	Smart fan (2 x CPU fan, 2 x System fan)		
TPM	Intel® Platform Trust Technology		

Watchdog Timer	Software Programmable Support 1~255 sec. system reset		
Operating Temperature (with air flow)	-10°C ~ 60°C	-10°C ~ 50°C	
Storage Temperature	-20°C ~ 60°C		
Humidity	10% ~ 95%@40°C, non-condensing		
IP Level	IP 65 compliant front panel		
Operating Vibration	MIL-STD-810F 514.5C-1 (with SSD)		
Operating Shock	Half-sine wave shock 5G; 11ms; 3 shocks per axis		
Safety and EMC	CE, FCC Class A, UKCA		
ErP	ErP 2009/125/EC		
Dimensions (H x W x D) (mm)	468.80 x 288.20 x 82	447.4 x 372.4 x 82.2	550.40 x 358.40 x 81.66
Net Weight	6.965 kg	7.66 kg	9 kg

Table 1-3: PPC2-CW19/C19/CW22-ADL Specifications

PPC2-Cxxx-ADL Series Panel PC

1.8 Dimensions

1.8.1 PPC2-C15-ADL Dimensions

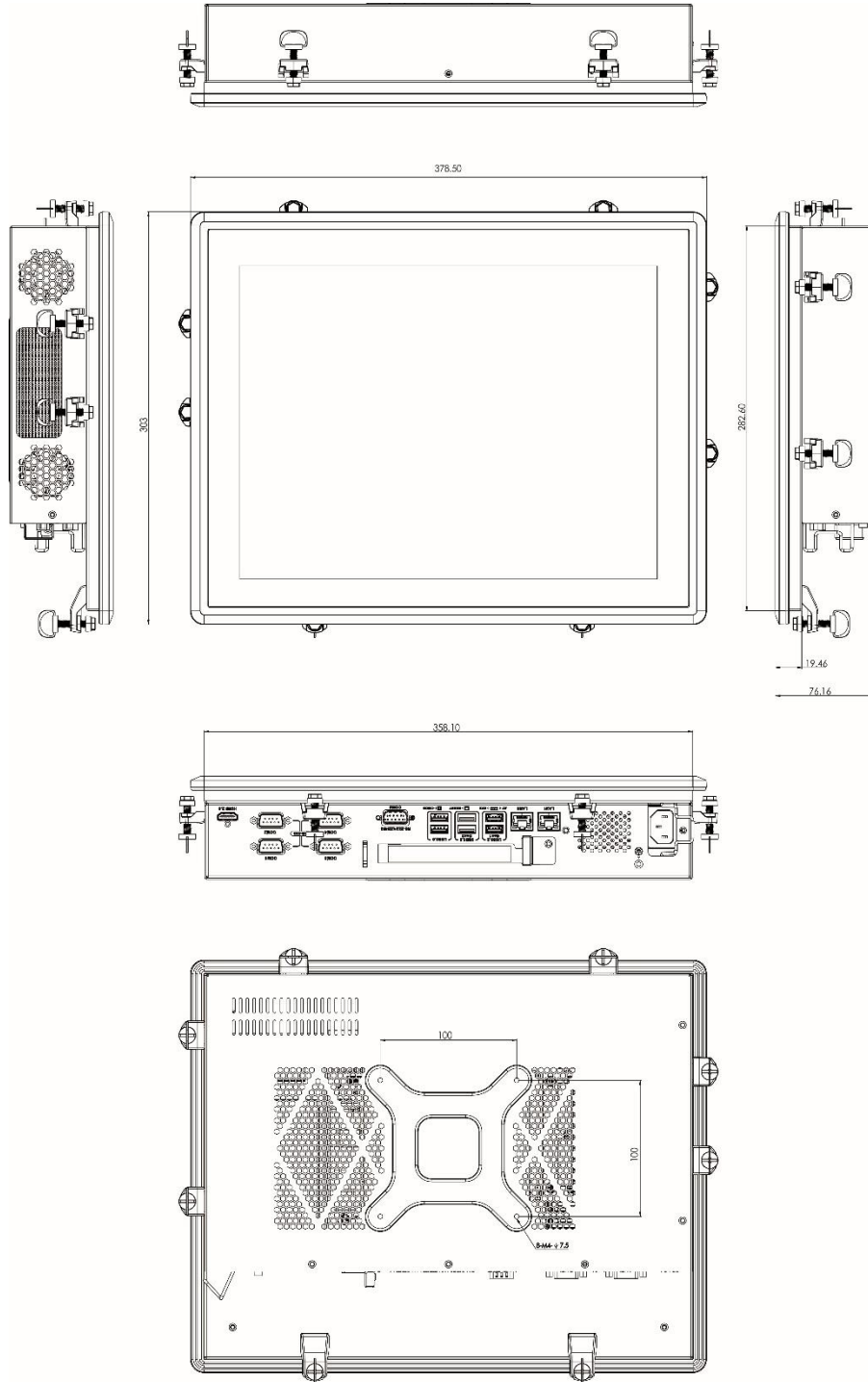


Figure 1-5: PPC2-C15-ADL Dimensions (Unit: mm)

1.8.2 PPC2-CW15-ADL Dimensions

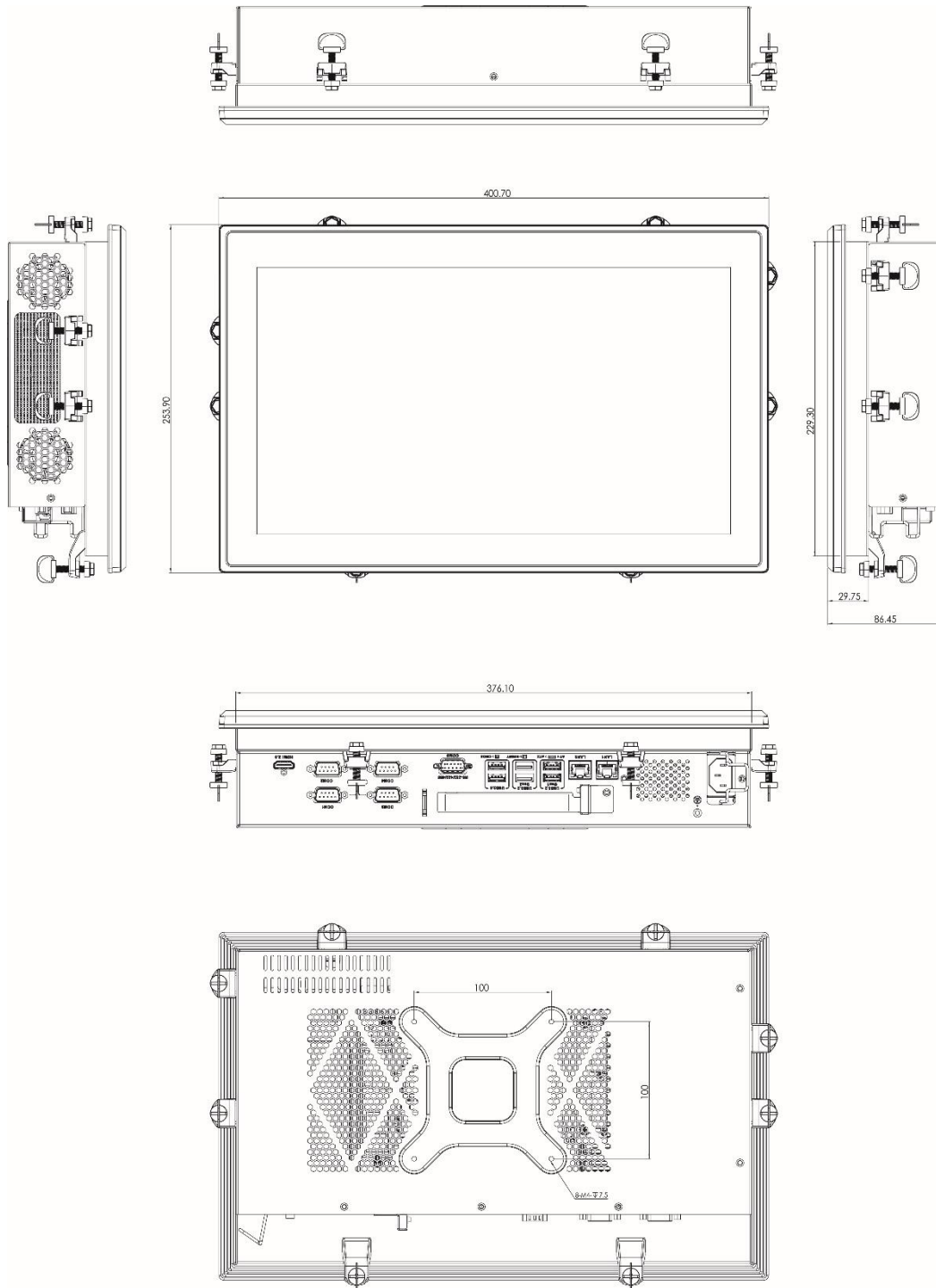


Figure 1-6: PPC2-CW15-ADL Dimensions (Unit: mm)

PPC2-Cxxx-ADL Series Panel PC

1.8.3 PPC2-C17-ADL Dimensions

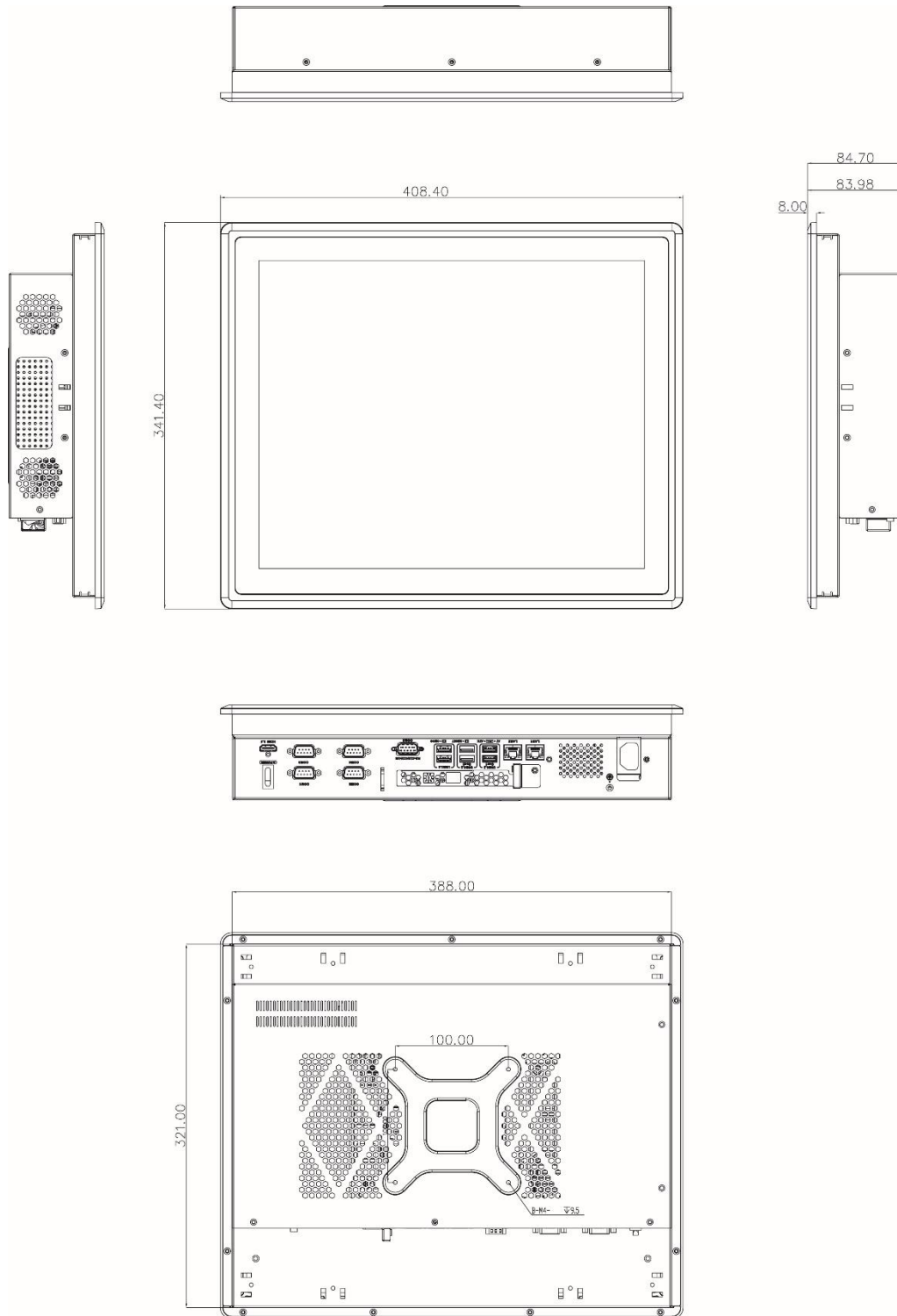


Figure 1-7: PPC2-C17-ADL Dimensions (Unit: mm)

1.8.4 PPC2-C19-ADL Dimensions

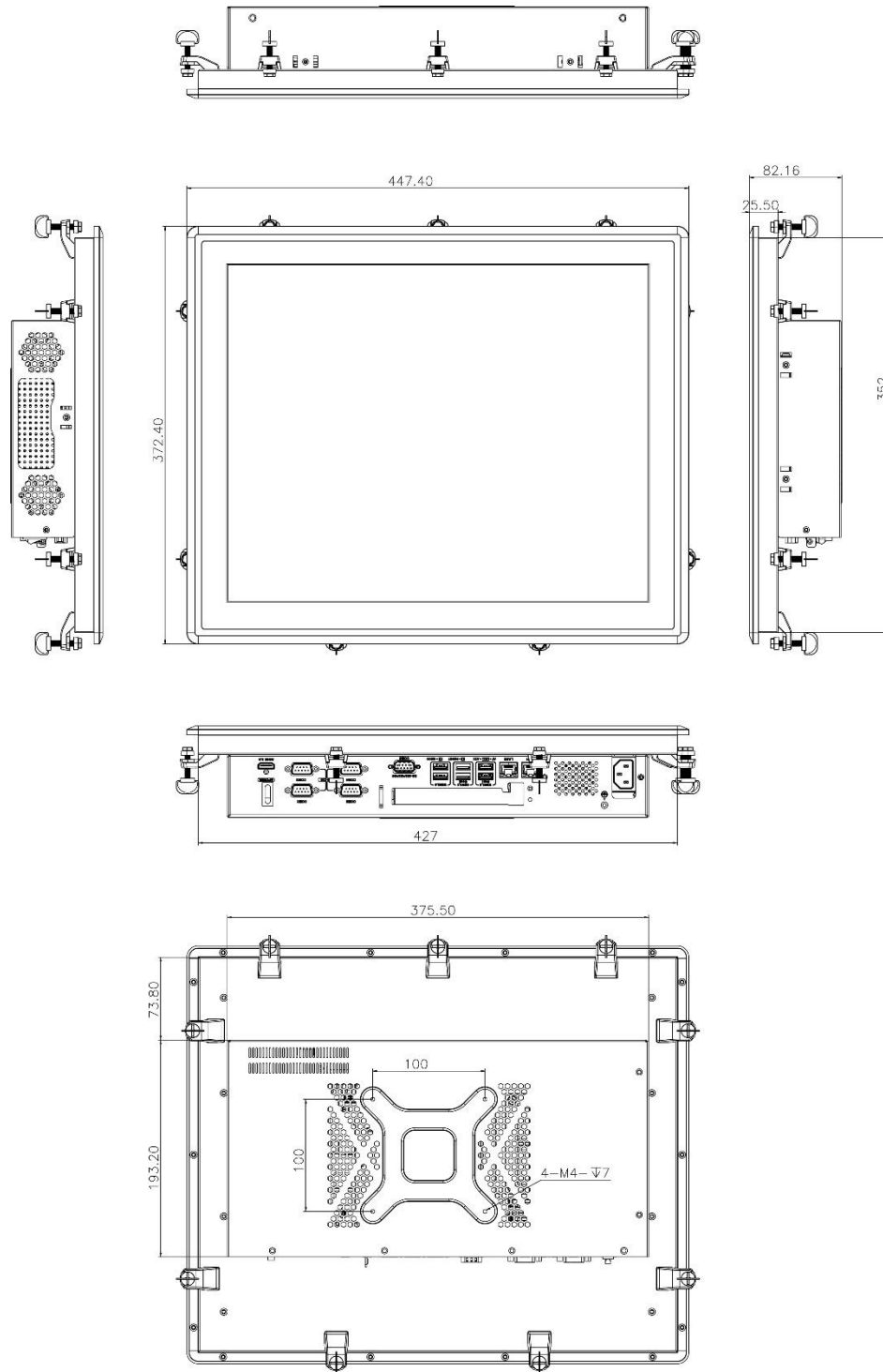


Figure 1-8: PPC2-C19-ADL Dimensions (Unit: mm)

PPC2-Cxxx-ADL Series Panel PC

1.8.5 PPC2-CW19-ADL Dimensions

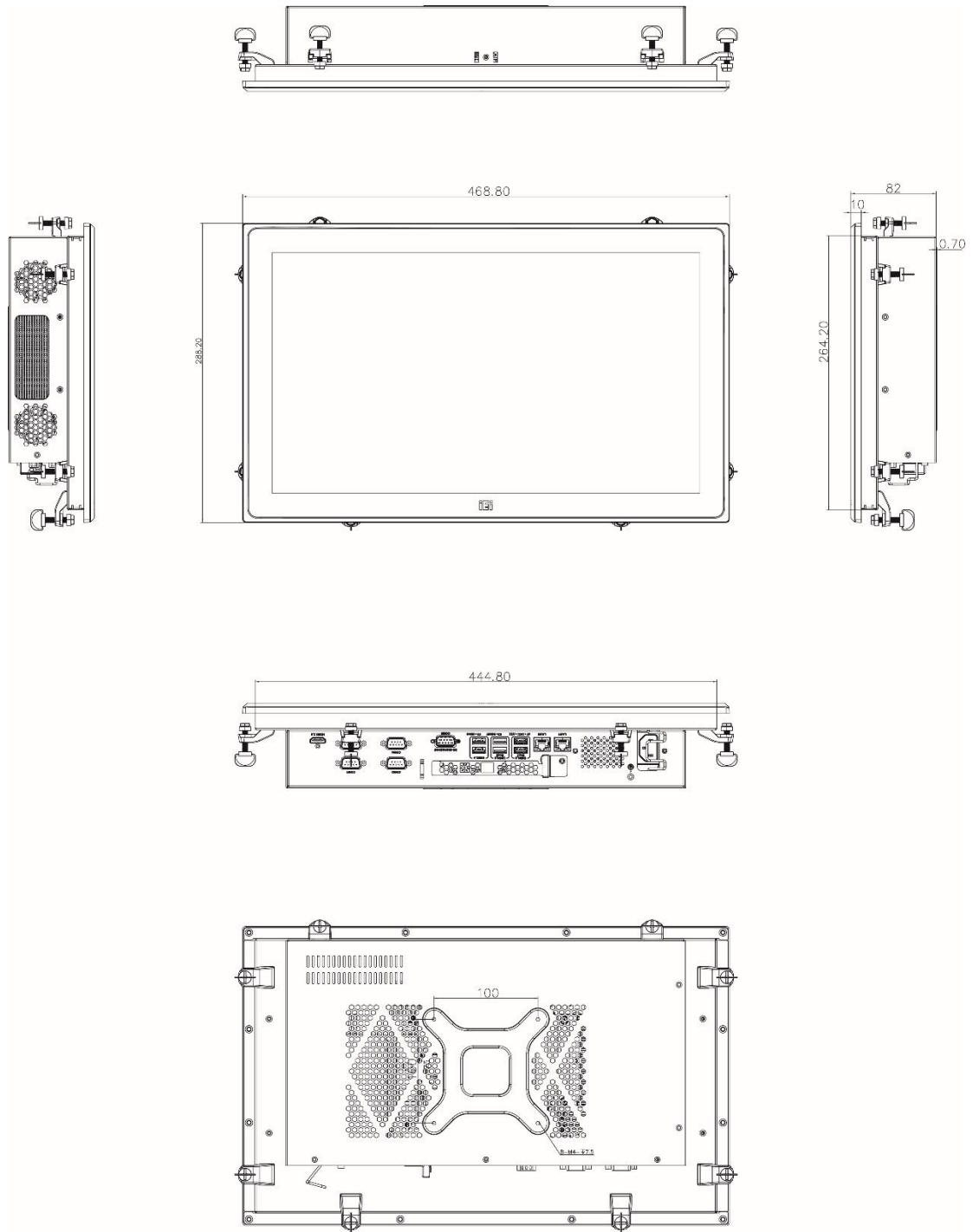


Figure 1-9: PPC2-CW19-ADL Dimensions (Unit: mm)

1.8.6 PPC2-CW22-ADL Dimensions

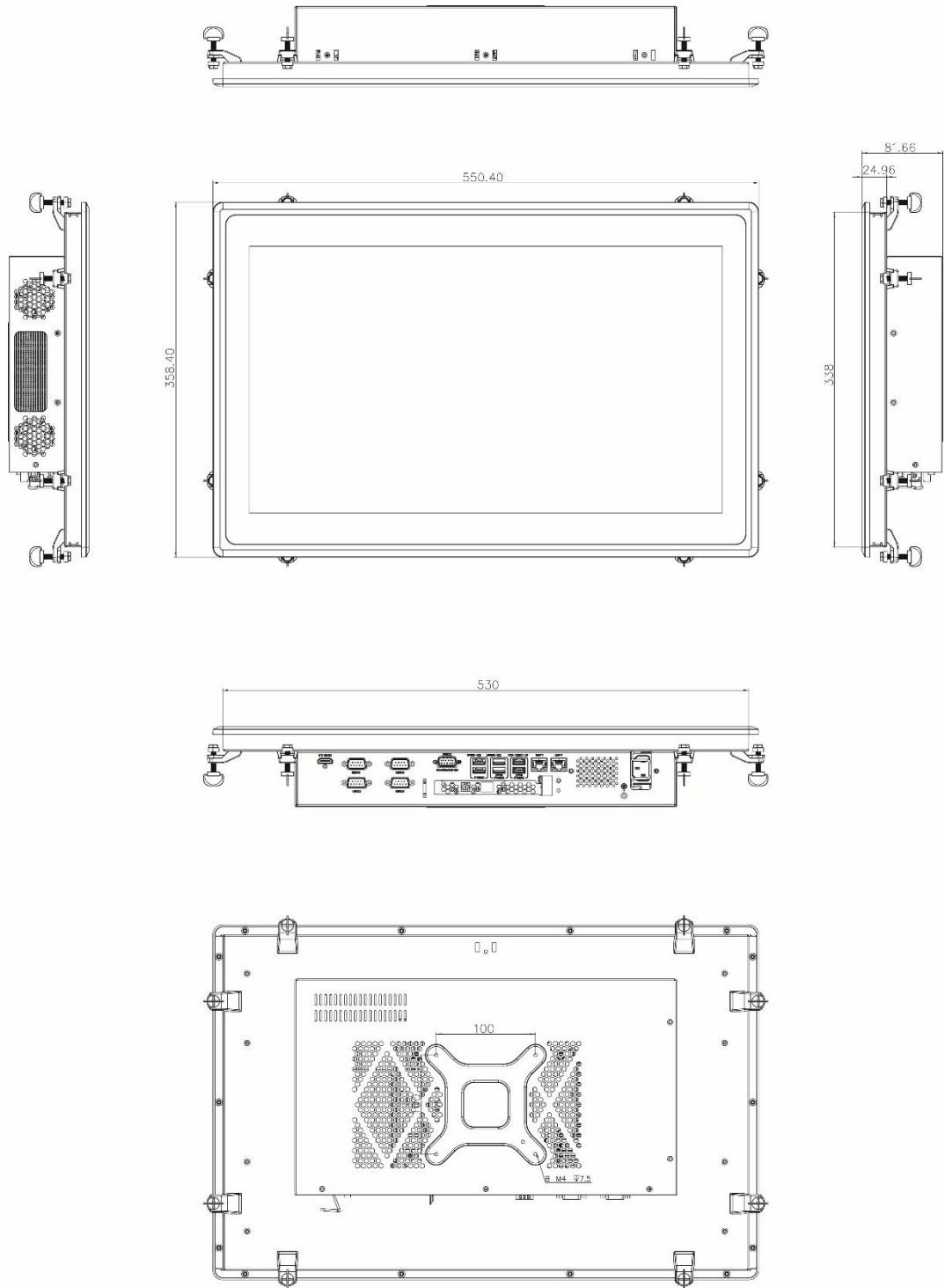


Figure 1-10: PPC2-CW22-ADL Dimensions (Unit: mm)

Chapter

2

Unpacking

2.1 Unpacking

To unpack the panel PC, follow the steps below:



WARNING!

The front side LCD screen has a protective plastic cover stuck to the screen. Only remove the plastic cover after the panel PC has been properly installed. This ensures the screen is protected during the installation process.

- Step 1:** Use box cutters, a knife or a sharp pair of scissors that seals the top side of the external (second) box.
- Step 2:** Open the external (second) box.
- Step 3:** Use box cutters, a knife or a sharp pair of scissors that seals the top side of the internal (first) box.
- Step 4:** Lift the panel pc out of the boxes.
- Step 5:** Remove both polystyrene ends, one from each side.
- Step 6:** Pull the plastic cover off the panel PC.
- Step 7:** Make sure all the components listed in the packing list are present.

PPC2-Cxxx-ADL Series Panel PC

2.2 Packing List



NOTE:

If any of the components listed in the checklist below are missing, do not proceed with the installation. Contact the IEI reseller or vendor the PPC-Cxxx-ADL was purchased from or contact an IEI sales representative directly by sending an email to sales@ieiworld.com.

The PPC-Cxxx-ADL panel PC is shipped with the following components:





Quantity	Item	Image
1	PPC-Cxxx-ADL Panel PC	
1	Power cord	
1	Panel mount kit	
1	Screw pack	

Table 2-1: Package List

2.3 Optional Items

The following items are optional accessories for the PPC-Cxxx-ADL:

PPC2-C15/CW15/C17/C19/CW19/CW22-ADL		
Item	Part No.	Description
Arm	ARM-31-RS	VESA 75/100 desk arm
Stand	STAND-C19-R10	VESA 75/100 easy stand
Wall	AFLWK-19B	Wall mounting kit
OS	WIN10-IOTE2019-H-RS	Win10 IoT Ent LTSC 2019 MultiLang OEI High End
Wi-Fi Kit	EMB-WIFI-KIT02I3-R10	2T2R M.2 Wi-Fi module, Wi-Fi 6E & Bluetooth 5.2

Table 2-2: Optional Items

Chapter

3

Installation

3.1 Anti-static Precautions

**WARNING:**

Failure to take ESD precautions during the maintenance of the PPC-Cxxx-ADL may result in permanent damage to the PPC-Cxxx-ADL and severe injury to the user.

Electrostatic discharge (ESD) can cause serious damage to electronic components, including the power module. (Dry climates are especially susceptible to ESD.) It is therefore critical that whenever the PPC-Cxxx-ADL is opened and any electrical component handled, the following anti-static precautions are strictly adhered to.

- **Wear an anti-static wristband:** Wearing a simple anti-static wristband can help to prevent ESD from damaging the board.
- **Self-grounding:** Before handling the board, touch any grounded conducting material. During the time the board is handled, frequently touch any conducting materials that are connected to the ground.
- **Use an anti-static pad:** When configuring the PPC-Cxxx-ADL, place it on an anti-static pad. This reduces the possibility of ESD damaging the PPC-Cxxx-ADL.

3.2 Installation Precautions

During installation, be aware of the precautions below:

- **Read the user manual:** The user manual provides a complete description of the PPC-Cxxx-ADL, installation instructions and configuration options.
- **DANGER! Disconnect Power:** Power to the PPC-Cxxx-ADL must be disconnected during the installation process. Failing to disconnect the power may cause severe injury to the body and/or damage to the system.
- **Qualified Personnel:** The PPC-Cxxx-ADL must be installed and operated only by trained and qualified personnel. Maintenance, upgrades, or repairs may only be carried out by qualified personnel who are familiar with the associated dangers.

PPC2-Cxxx-ADL Series Panel PC

- **Air Circulation:** Make sure there is sufficient air circulation when installing the PPC-Cxxx-ADL. The PPC-Cxxx-ADL cooling vents must not be obstructed by any objects. Blocking the vents can cause overheating of the PPC-Cxxx-ADL. Leave at least 5 cm of clearance around the PPC-Cxxx-ADL to prevent overheating.
- **Grounding:** The PPC-Cxxx-ADL should be properly grounded. The voltage feeds must not be overloaded. Adjust the cabling and provide external overcharge protection per the electrical values indicated on the label attached to the back of the PPC-Cxxx-ADL.

3.3 Preinstalled Components

The following components are all preinstalled.

- Motherboard
- TFT LCD
- Touchscreen
- CPU
- Memory

Preinstalled OEM customizations may include the following.

- HDD
- OS
- Wi-Fi Kit

3.4 Installation Procedure

To properly install the PPC-Cxxx-ADL, the following steps must be followed. Detailed descriptions of these instructions are listed in the sections that follow.

Step 1: Unpacking the PPC-Cxxx-ADL panel PC

Step 2: Install an SSD (if necessary).

Step 3: Install expansion cards (optional)

Step 4: Mount the panel PC

Step 5: Connect the peripheral devices

Step 6: Power the system up

3.5 Removing the Rear Cover



WARNING:

Before any internal installation procedures are carried out on the system, make sure the system is turned off and cooled down for 5 minutes. Failing to turn off the system before opening it can cause permanent damage to the system and serious or fatal injury to the user.

To access the PPC2-Cxxx-ADL internally the rear cover must be removed, remove the back cover retention screws on the back cover, lift the cover up to remove.

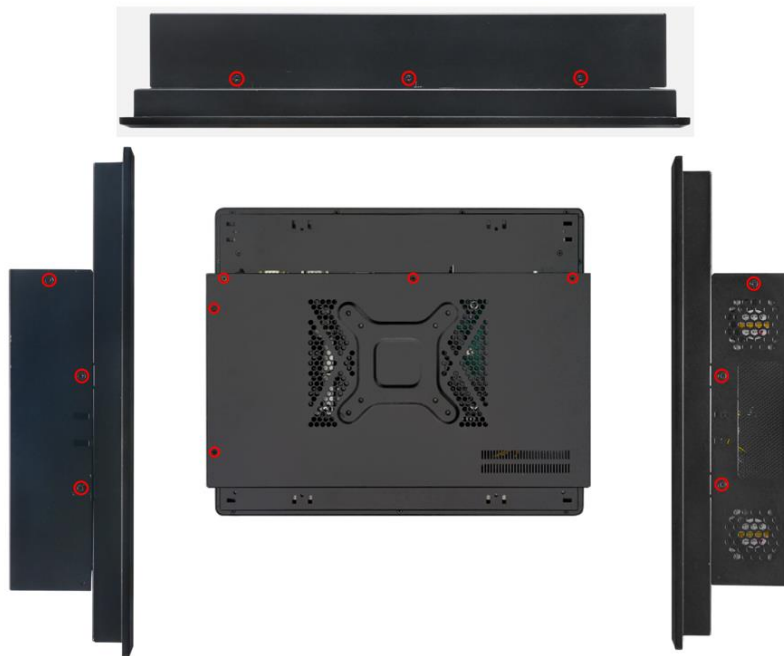


Figure 3-1: PPC2-Cxxx-ADL Series Back Cover Retention Screws

PPC2-Cxxx-ADL Series Panel PC

3.6 Solid-State Drive Installation

One 2.5" SATA HDD drive can be installed in the PPC-Cxxx-ADL. To install the HDD into the system, please follow the steps below.

Step 1: Remove the back cover see **Figure 3-1**.

Step 2: Remove the three screws securing the hard drive bracket to remove the hard drive bracket. See **Figure 3-2**.



Figure 3-2: HDD Bracket Retention Screws

Step 3: Place an HDD onto the drive tray and secure the HDD with the bracket by inserting four retention screws (M3*4) into the bottom of the HDD (**Figure 3-3**).





Figure 3-3: HDD Retention Screws

Step 4: Install the HDD and bracket back into the system. See **Figure 3-4**.



Figure 3-4: Install the HDD and Bracket

Step 5: Connect the SATA cable. See **Figure 3-5**.

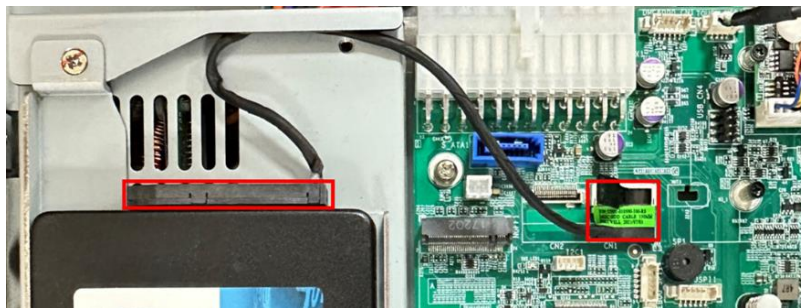


Figure 3-5: SATA Cable

Step 6: Re-install the rear cover and secure it with screws.

PPC2-Cxxx-ADL Series Panel PC

3.7 DIMM Installation (Optional)

To install a DIMM, please follow the steps below and refer to **Figure 3-7**.

Step 1: Remove the rear cover. See Section 3.5 above.

Step 2: Locate the DIMM slots as shown in **Figure 3-6**.

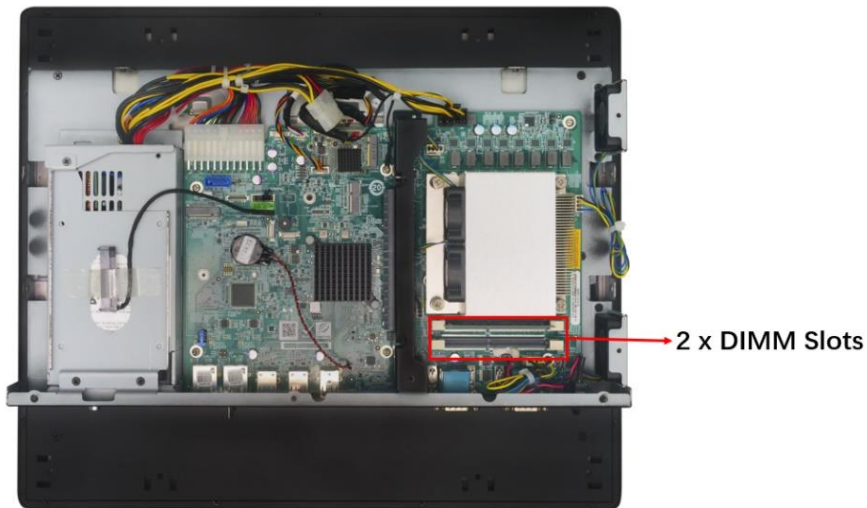


Figure 3-6: DIMM Slot Locations

Step 3: Open the two handles outwards as far as they can. See **Figure 3-7**.

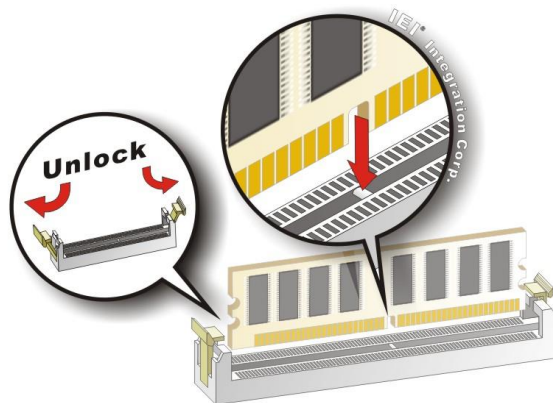


Figure 3-7: DIMM Installation

Step 4: Align the DIMM so the notch on the memory lines up with the notch on the memory socket. See **Figure 3-7**.

Step 5: Once aligned, press down until the DIMM is properly seated. Clip the two handles into place. See **Figure 3-7**.

Step 6: To remove a DIMM, push both handles outward. The memory module is ejected by a mechanism in the socket.



CAUTION:

For dual channel configuration, install two identical memory modules that feature the same capacity, timings, voltage, number of ranks and the same brand.

3.8 M.2 Installation (Optional)

To install an M.2 card, please follow the steps below.

Step 1: Remove the rear cover See 3.5.

Step 2: Locate the M.2 slot as shown in **Figure 3-8**.

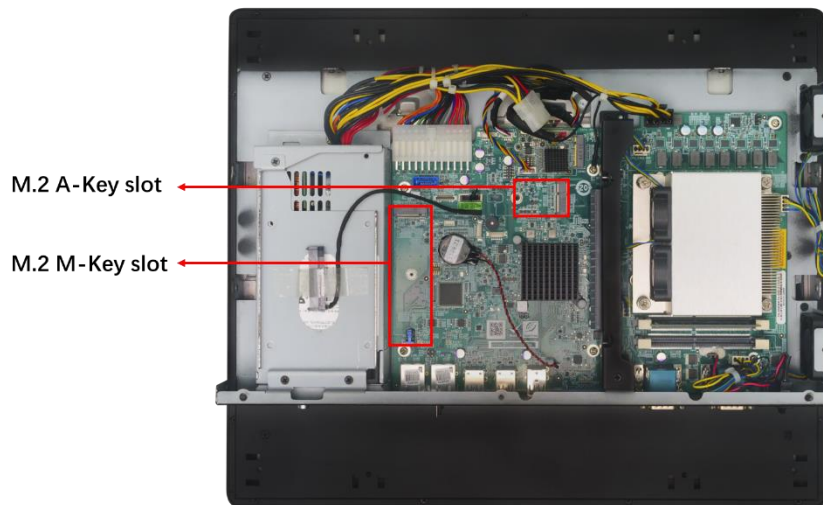


Figure 3-8: M.2 Slot Locations

Step 3: Press the end of the M.2 retaining clip. As shown in **Figure 3-9**.

PPC2-Cxxx-ADL Series Panel PC

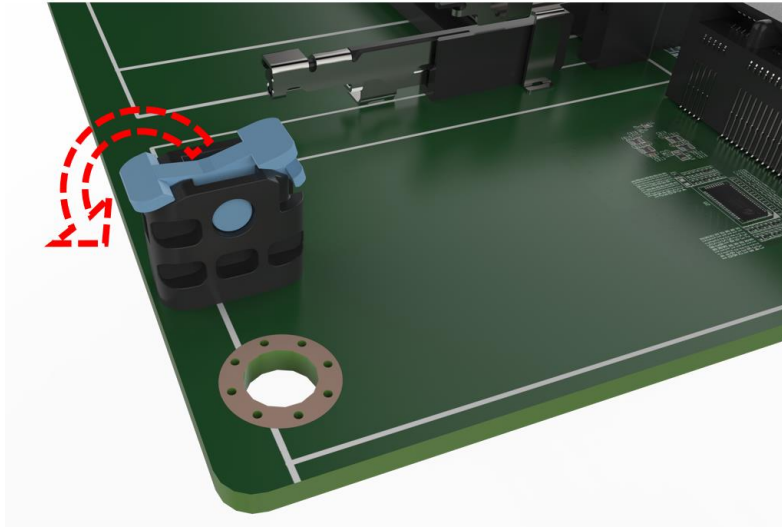


Figure 3-9: Press the End of The M.2 Retaining Clip

Step 4: Insert M.2 card. The notch at the end of the M.2 card needs to be aligned with the notch of the fixed buckle (Figure 3-10).

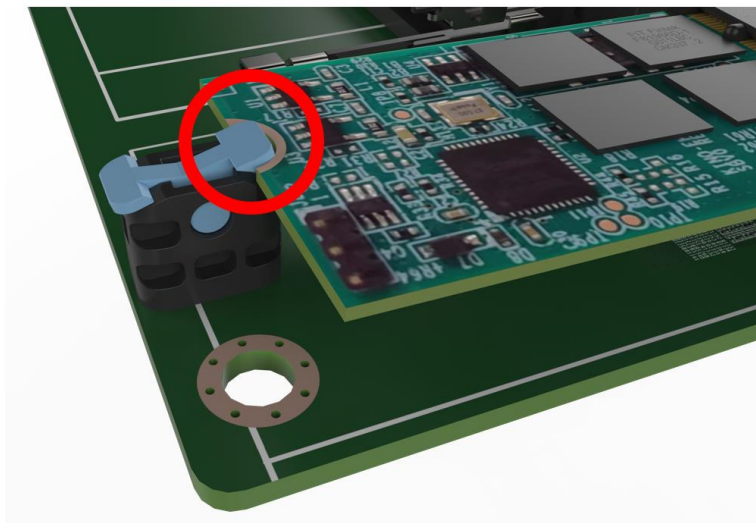


Figure 3-10: Insert M.2 Card

Step 5: Secure the M.2 card. Press down the M.2 card to fix it (Figure 3-11).

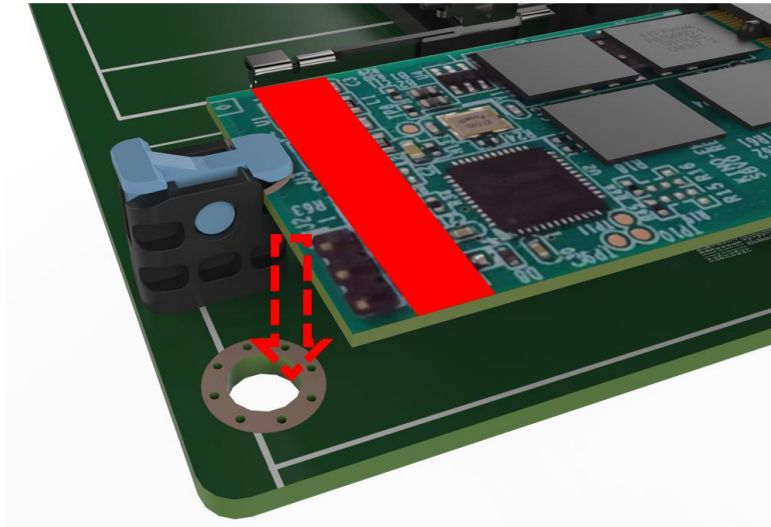


Figure 3-11: Securing the M.2 Card

Step 6: Re-install the rear cover.

3.9 AT/ATX Mode Selection

AT and ATX power modes can both be used on the PPC-Cxxx-ADL panel PC. The selection is made through an AT/ATX switch on the I/O interface panel. The system is set to ATX mode by default. The switch is shown below.



Figure 3-12: AT/ATX Mode Selection

		AT/ATX Switch	
		AT	ATX (Default)
Power Switch Position	Off (O)	The system remains off.	The system remains off.
	On (I)	The system turns on once power is connected.	Depends on the state selected in the Restore AC Power Loss BIOS option.

Table 3-1: AT/ATX Mode Selection

PPC2-Cxxx-ADL Series Panel PC

3.10 Mounting the System

The following sections describe the mounting methods supported by the PPC-Cxxx-ADL.



WARNING!

When mounting the PPC-Cxxx-ADL panel PC, it is advisable to have more than one person help with the installation to prevent accidental damage to the panel and avoid personal injury.

The methods of mounting the PPC-Cxxx-ADL are:

- Wall mounting
- Panel mounting
- Rack mounting
- Arm mounting
- Stand mounting

The mounting methods are described in the following sections.

3.10.1 Wall Mounting

To mount the PPC-Cxxx-ADL series panel PC onto a wall, please follow the steps below.

- Step 1:** Select the location on the wall for the wall-mounting bracket.
- Step 2:** Carefully mark the locations of the four bracket screw holes on the wall.
- Step 3:** Drill four pilot holes at the marked locations on the wall for the bracket retention screws.
- Step 4:** Align the wall-mounting bracket screw holes with the pilot holes.
- Step 5:** Secure the mounting bracket to the wall by inserting the retention screws into the four pilot holes and tightening them (**Figure 3-13**).

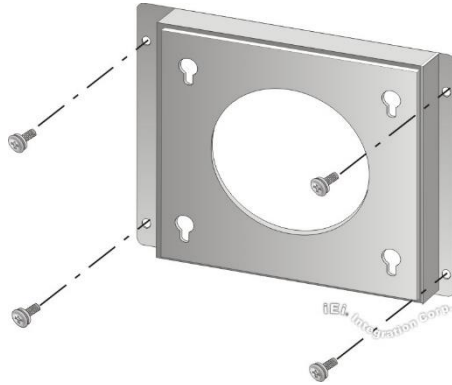


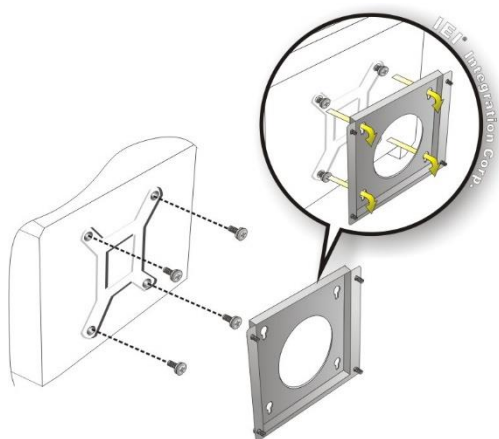
Figure 3-13: Wall-mounting Bracket

- Step 6:** Insert the four monitor mounting screws provided in the wall mounting kit into the four screw holes on the rear panel of the monitor and tighten until the screw shank is secured against the rear panel.
- Step 7:** Align the mounting screws on the monitor rear panel with the mounting holes on the bracket.
- Step 8:** Carefully insert the screws through the holes and gently pull the monitor downwards until the monitor rests securely in the slotted holes. Ensure that all four of the mounting screws fit snugly into their respective slotted holes.



NOTE:

In the diagram below the bracket is already installed on the wall.



PPC2-Cxxx-ADL Series Panel PC

Figure 3-14: Mount the Chassis

- Step 9:** Secure the panel PC with the wall-mounting kit. To do this, stick the protective cushion to the wall-mounting kit first. Then, put the wall-mounting kit on the top panel of the panel PC. Carefully mark the location of the wall-mounting kit screw holes on the wall. Drill a pilot hole at the marked location on the wall. Secure the wall-mounting kit to the wall by inserting a retention screw into the pilot hole on the wall. This step is to avoid the panel PC being pushed apart from the wall-mounting bracket accidentally.

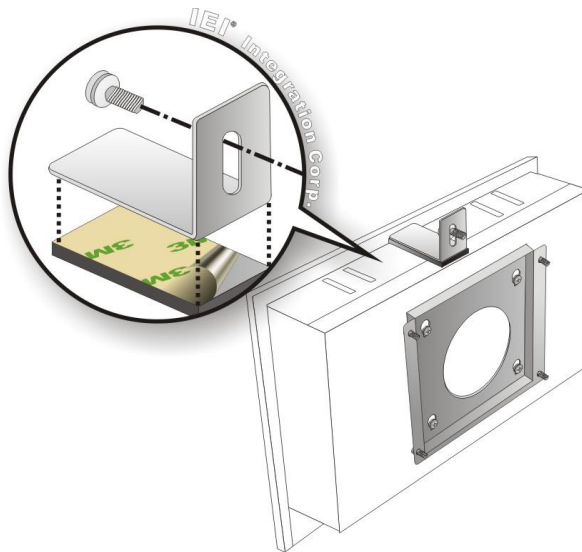


Figure 3-15: Secure the Chassis

3.10.2 Panel and Rack Installation

To mount the PPC-Cxxx-ADL panel PC into a panel, please follow steps 1-5.

For rack and cabinet installation, please follow Steps 1-7.



NOTE:

For the PPC-Cxxx-ADL panel PC, five mounting brackets must be installed (three along the bottom and one along each side).

Step 1: Select the position on the panel to mount the PPC-Cxxx-ADL.

Step 2: Cut out a section of the panel that corresponds to the rear panel dimensions of the PPC-Cxxx-ADL. The recommended cutout sizes are shown below.

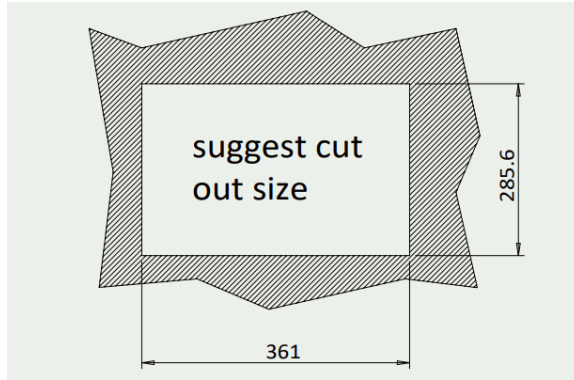


Figure 3-16: PPC2-C15-ADL Panel Cutout Dimensions

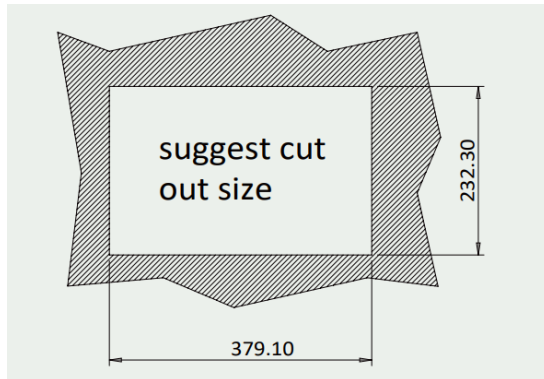


Figure 3-17: PPC2-CW15-ADL Panel Cutout Dimensions

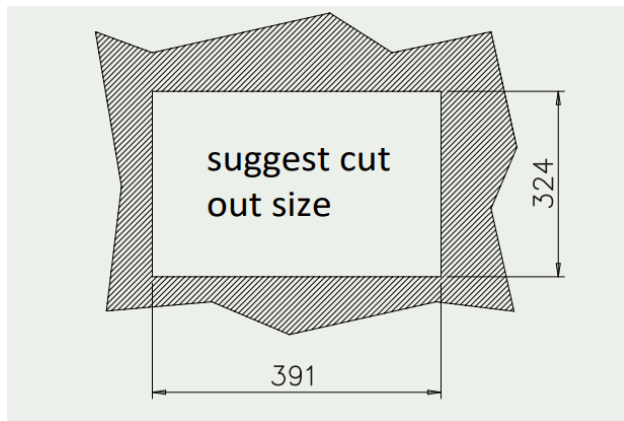


Figure 3-18: PPC2-C17-ADL Panel Cutout Dimensions

PPC2-Cxxx-ADL Series Panel PC

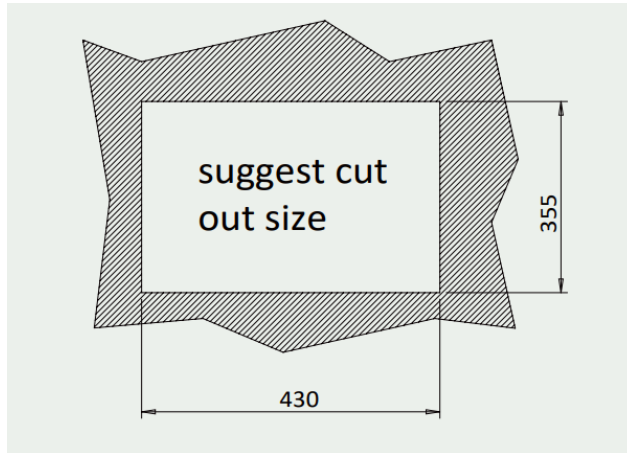


Figure 3-19: PPC2-C19-ADL Panel Cutout Dimensions

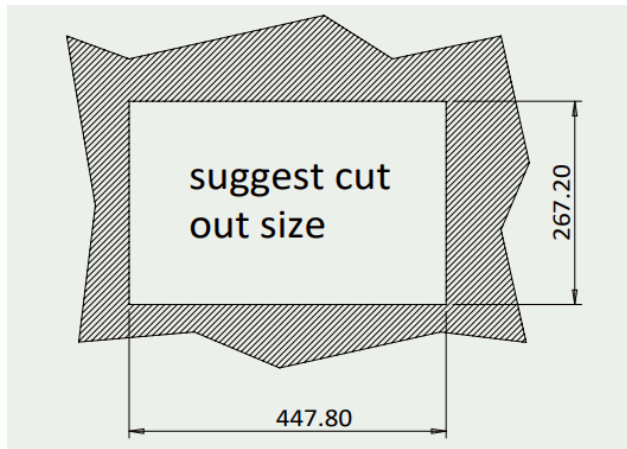


Figure 3-20: PPC2-CW19-ADL Panel Cutout Dimensions

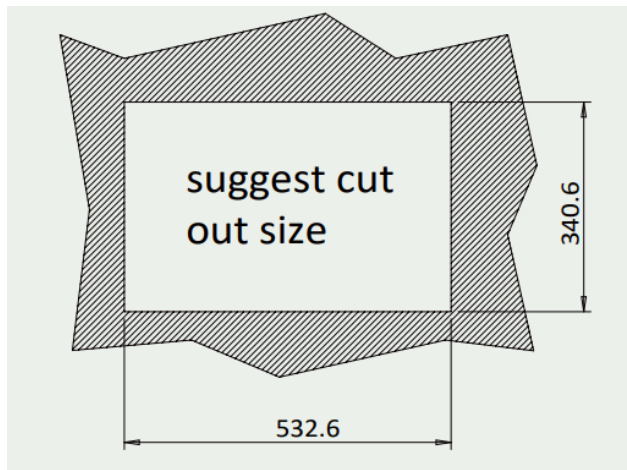


Figure 3-21: PPC2-CW22-ADL Panel Cutout Dimensions

Step 3: Slide the PPC2-Cxxx-ADL Series through the hole until the aluminum frame is flush against the panel (**Figure 3-22**).

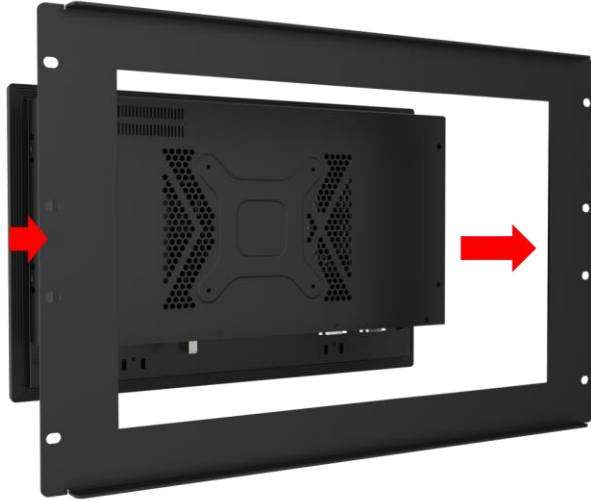


Figure 3-22: Machine mounted to panel

Step 4: Insert the panel mount kit into the prefabricated holes along the rear edge of the PPC2-Cxxx-ADL series (**Figure 3-23**). The required number of mounting clamps may vary by models.



Figure 3-23: Installation Panel Mount Kit

Step 5: Tighten the screws that pass through the mounting clamps until the plastic caps at the front of all the screws are firmly secured to the panel (**Figure 3-24**).

PPC2-Cxxx-ADL Series Panel PC

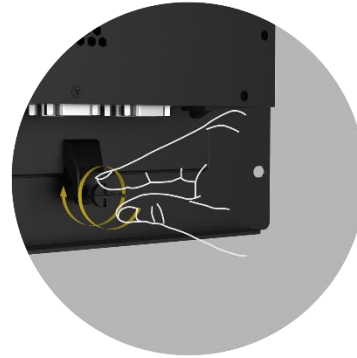
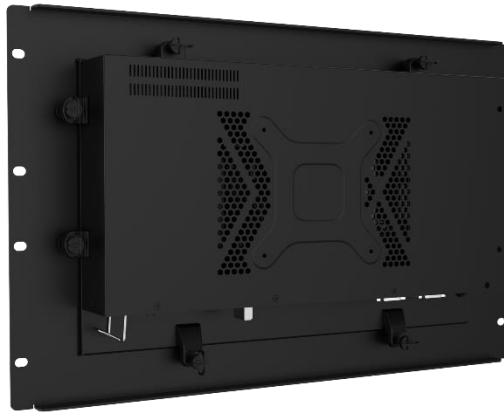


Figure 3-24: Tighten the Mounting Screws

Step 6: Slide the PPC2-Cxxx-ADL series with the attached rack/cabinet bracket into a rack or cabinet (**Figure 3-25**).

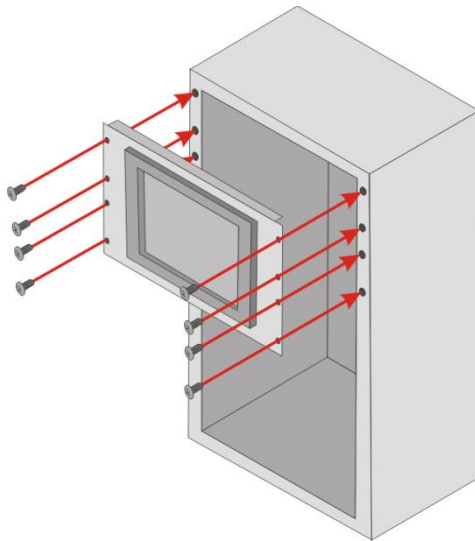


Figure 3-25: Install into a Rack

Step 7: Once the flat panel PC with the attached rack/cabinet bracket has been properly inserted into the rack or cabinet, secure the front of the rack/cabinet bracket to the front of the rack or cabinet (**Figure 3-25**).

3.10.3 Arm Mounting

The PPC2-Cxxx-ADL Series is VESA (Video Electronics Standards Association) compliant and can be mounted on an arm with a 100 mm interface pad. To mount the PPC2-Cxxx-ADL Series on an arm, please follow the steps below.

Step 1: The arm is a separately purchased item. Please correctly mount the arm onto the surface it uses as a base. To do this, refer to the installation documentation that came with the mounting arm.

**NOTE:**

When purchasing the arm please ensure that it is VESA compliant and that the arm has a 100 mm interface pad. If the mounting arm is not VESA compliant, it cannot be used to support the PPC2-Cxxx-ADL Series panel PC.

Step 2: Once the mounting arm has been firmly attached to its surface, lift the PPC2-Cxxx-ADL Series panel PC onto the interface pad of the mounting arm.

Step 3: Align the retention screw holes on the mounting arm interface with those in the PPC2-Cxxx-ADL Series panel PC. The arm mounting retention screw holes of the PPC2-Cxxx-ADL Series panel PC are shown in **Figure 3-26**.

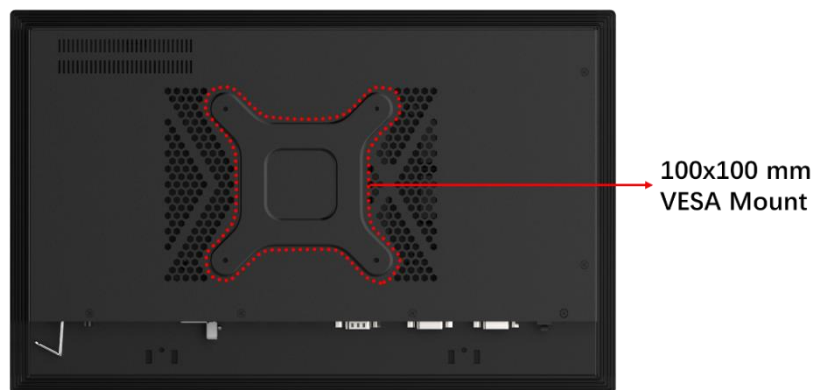


Figure 3-26: Arm Mounting Retention Screw Holes

PPC2-Cxxx-ADL Series Panel PC

- Step 4:** Secure the PPC2-Cxxx-ADL Series to the interface pad by inserting four retention screws through the mounting arm interface pad and into the PPC2-Cxxx-ADL Series panel PC.

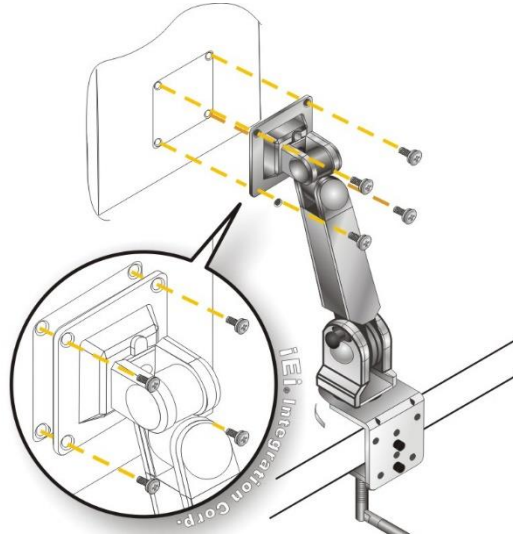


Figure 3-27: Arm Mounting (ARM-11-RS)

3.10.4 Stand Mounting

To mount the PPC2-Cxxx-ADL Series using the stand mounting kit, please follow the steps below.

- Step 1:** Locate the screw holes on the rear of the PPC2-Cxxx-ADL Series. This is where the bracket will be attached.

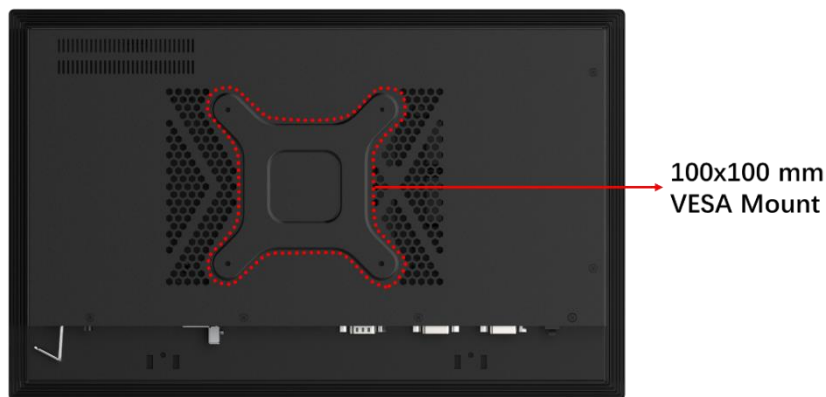


Figure 3-28: Stand Mounting Retention Screw Holes

Step 2: Align the bracket with the screw holes.

Step 3: To secure the bracket to the PPC2-Cxxx-ADL Series, insert the retention screws into the screw holes and tighten them.

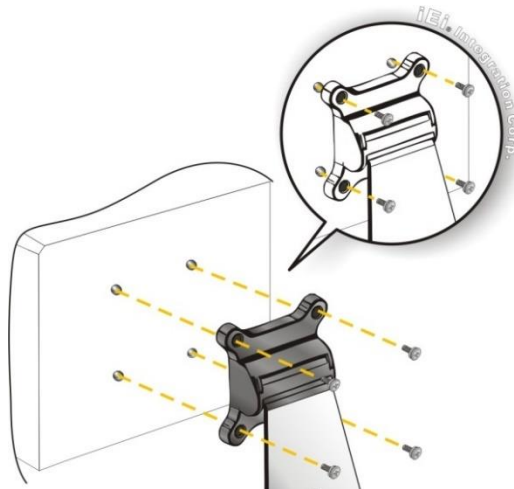


Figure 3-29: Stand Mounting

3.11 Serial Device Connection

The PPC2-Cxxx-ADL Series has RS-232/422/484 and RS-232 ports. The pinouts of the serial ports are listed in the following sections.

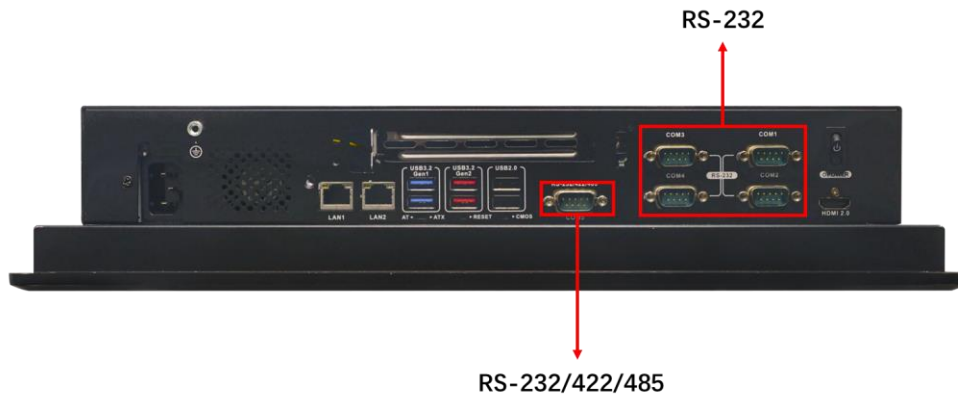


Figure 3-30: Serial Port Locations of PPC2-C15/CW15/C17/C19/CW19/CW22-ADL

3.11.1 RS-232 Serial Ports

The pinouts of the RS-232 serial ports are listed in the following table.

PPC2-Cxxx-ADL Series Panel PC

PIN NO.	DESCRIPTION	PIN NO.	DESCRIPTION
1	DCD	2	RXD
3	TXD	4	DTR
5	GND	6	DSR
7	RTS	8	CTS
9	RI		

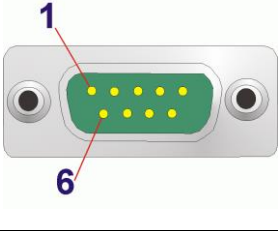


Table 3-2: RS-232 Serial Port Pinouts

3.11.2 RS-232/422/485 Serial Port

The pinouts of the RS-232/422/485 serial ports are listed in the following table.

PIN NO.	RS-232	RS-422	RS-485
1	DCD	TXD422-	TXD485-
2	RXD	TXD422+	TXD485+
3	TXD	RXD422+	--
4	DTR	RXD422-	--
5	GND	--	--
6	DSR	--	--
7	RTS	--	--
8	CTS	--	--
9	RI	--	--

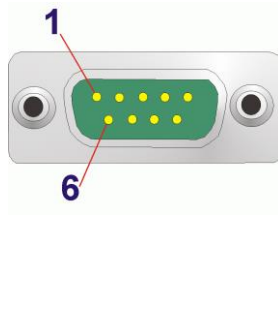


Table 3-3: RS-232/422/485 Serial Port (COM3) Pinouts

3.12 Power-On Procedure

3.12.1 Installation Checklist



WARNING:

Make sure a power supply with the correct input voltage is being fed into the system. Incorrect voltages applied to the system may cause damage to the internal electronic components and may also cause injury to the user.

To power on the panel PC please make sure of the following:

- Memory modules are installed
- The rear cover is installed

All peripheral devices are connected
 The system is securely mounted

3.12.2 Power-on Procedure

To power-on the PPC2-Cxxx-ADL Series please follow the steps below:

Step 1: Connect the power source to the power inlet on the bottom panel.

Step 2: Press the power switch to power up the system.



Figure 3-31: Power Switch

3.13 Reset the System

The reset button enables users to reboot the system when the system is turned on. The reset button location is shown in **Figure 3-32**. Press the reset button to reboot the system.

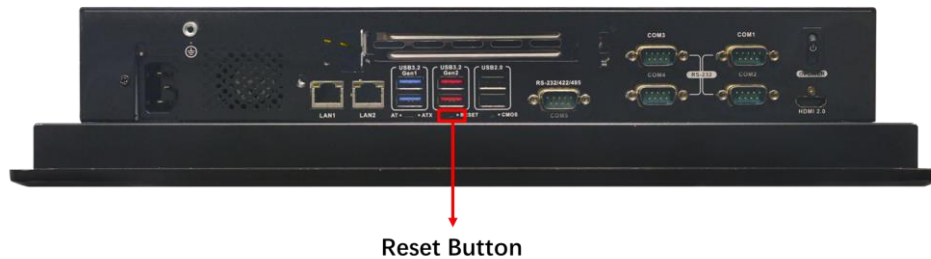


Figure 3-32: Reset Button Location

3.14 Clear CMOS

If the PPC-Cxxx-ADL fails to boot due to improper BIOS settings, the clear CMOS button clears the CMOS data and resets the system BIOS information. To do this, push the clear CMOS button for three seconds, and then restart the system. The clear CMOS button

PPC2-Cxxx-ADL Series Panel PC

location is shown in **Figure 3-33**.

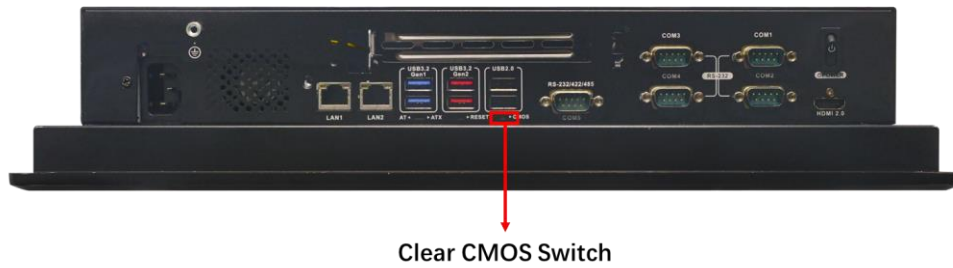


Figure 3-33: Clear CMOS Button Location

3.15 Software Installation

All the drivers for the **PPC2-Cxxx-ADL Series** are available on IEI Resource Download Center (<https://download.ieiworld.com>).

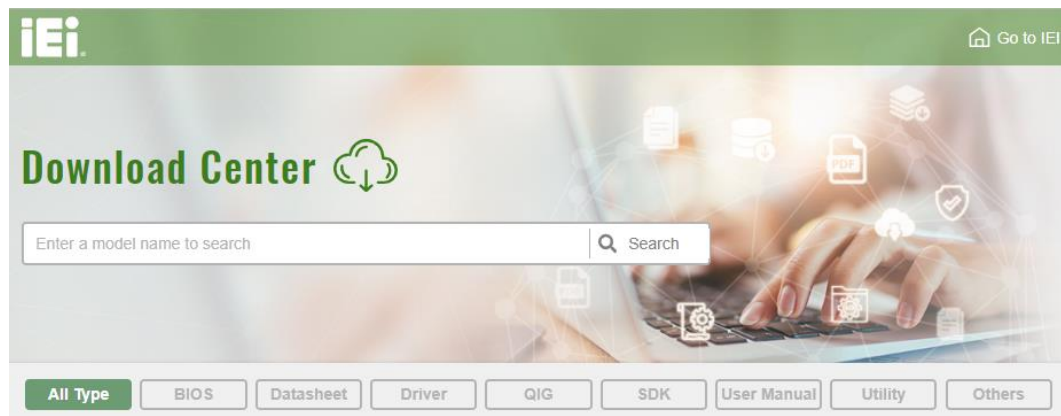
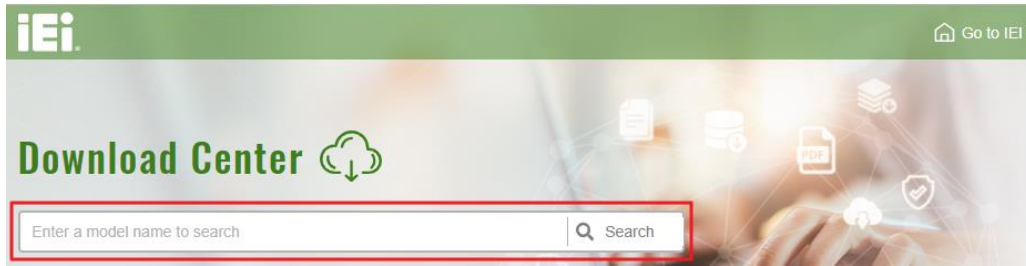


Figure 3-34: IEI Resource Download Center

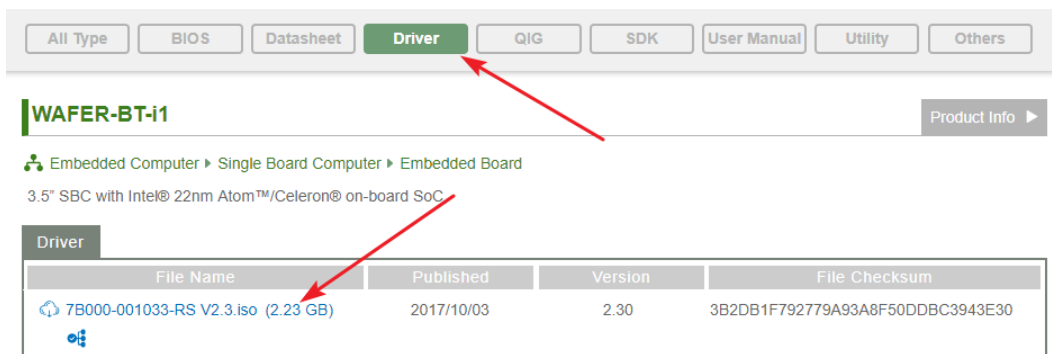
3.15.1 Driver Download

To download drivers from IEI Resource Download Center, follow the steps below.

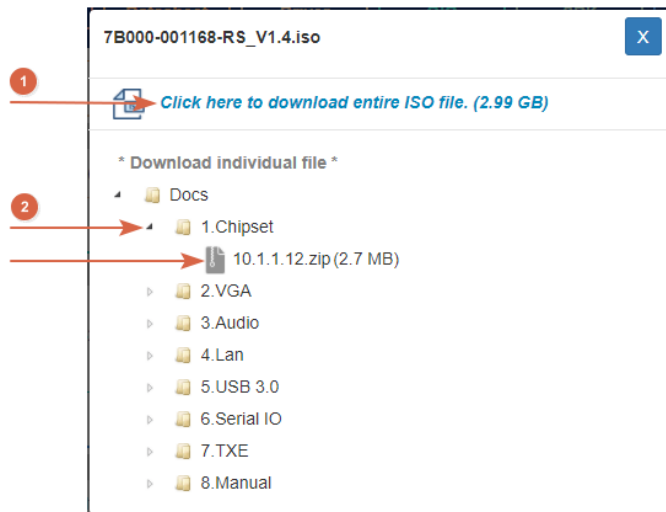
Step 1: Go to <https://download.ieiworld.com>. Type **PPC2-Cxxx-ADL Series** and press Enter.



Step 2: All product-related software, utilities, and documentation will be listed. You can choose **Driver** to filter the result.



Step 3: Click the driver file name on the page and you will be prompted with the following window. You can download the entire ISO file (❶), or click the small arrow to find an individual driver and click the file name to download (❷).



PPC2-Cxxx-ADL Series Panel PC



NOTE:

To install software from the downloaded ISO image file in Windows 10 or 11, double-click the ISO file to mount it as a virtual drive to view its content.

Chapter

4

System Maintenance

PPC2-Cxxx-ADL Series Panel PC



WARNING:

Take Anti-Static precautions whenever maintenance is being carried out on the system components. Failure to take anti-static precautions can cause permanent system damage. For more details on anti-static precautions, please refer to **Section 3.1**.

4.1 PPC-Cxxx-ADL System Maintenance Overview



NOTE:

When doing maintenance operations on the system, please follow the instructions in this chapter. Failure to follow these instructions may lead to personal injury and system damage.

To preserve the working integrity of the PPC2-Cxxx-ADL Series panel PC, the system must be properly maintained. If panel PC components need replacement, the proper maintenance procedures must be followed to ensure the system can continue to operate normally.

4.2 System Troubleshooting

This section provides some simple troubleshooting suggestions.

4.2.1 The System Doesn't Turn On

If after turning the system on, there is no power please do the following:

- Step 1:** Check that the power cable connector is properly connected to the system rear panel.
- Step 2:** Check that the power cable connector is properly plugged into the power source.
- Step 3:** Make sure the power button is turned on.

Step 4: Plug the system into a monitor and check to see if anything appears on the screen. If nothing is displayed, contact an IEI sales representative directly.

4.2.2 The System Doesn't Boot Up

If the system doesn't boot up, please do the following:

Step 1: Check the power is turned on.

Step 2: Make sure the SO-DIMM modules are properly installed.

4.2.3 More Troubleshooting

Nothing appears on the monitor after booting up the system: Make sure the monitor is properly connected to the system and the monitor is connected to a power supply and turned on.



WARNING!

If all troubleshooting measures have been taken and the system still fails to start, contact the IEI reseller or vendor you purchased the PPC-Cxxx-ADL from or contact an IEI sales representative directly. To contact an IEI sales representative, please send an email to sales@ieiworld.com.

4.3 Component Replacement



WARNING!

Users are not advised to attempt to repair or replace any internal or external components of the PPC-Cxxx-ADL panel PC. If any other components fail or need replacement, contact the IEI reseller or vendor you purchased the PPC-Cxxx-ADL from or contact an IEI sales representative directly. To contact an IEI sales representative, please send an email to sales@ieiworld.com.

Chapter

5

Interface Connectors

PPC2-Cxxx-ADL Series Panel PC

5.1 Peripheral Interface Connectors

The PPC2-Cxxx-ADL Series panel PC motherboard comes with a number of peripheral interface connectors and configuration jumpers. The connector locations are shown in **Figure 5-1** & **Figure 5-2**, The connector pinouts for these connectors are listed in the following sections.

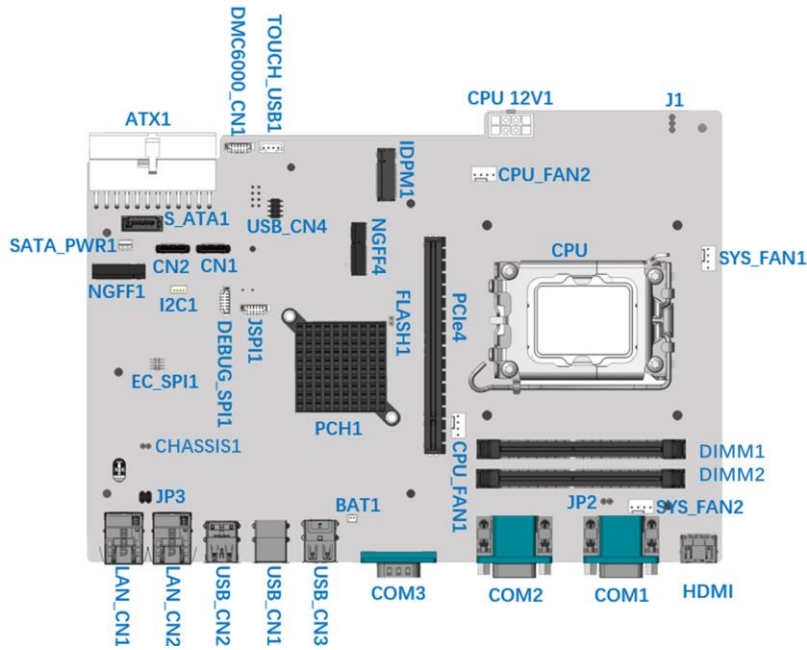


Figure 5-1: Main Board Layout Diagram (Front Side)

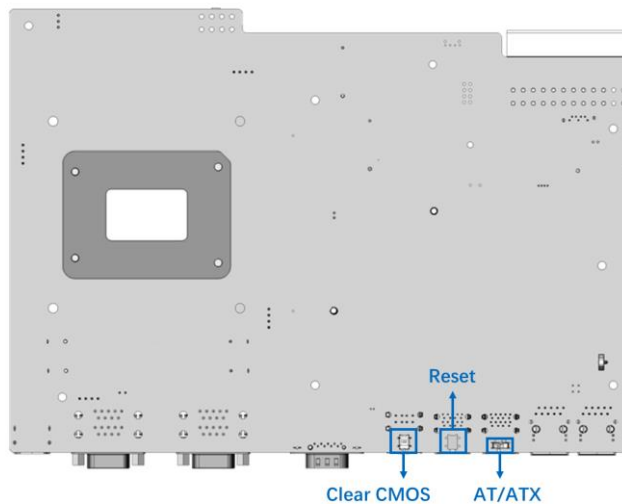


Figure 5-2: Main Board Layout Diagram (Solder Side)

5.2 Internal Peripheral Connectors

Internal peripheral connectors are found on the motherboard and are only accessible when the motherboard is outside of the chassis. The table below shows a list of the peripheral interface connectors on the PPC2-Cxx-ADL Panel PC motherboard. Pinouts of these connectors can be found in the following sections.

Connector	Type	Label
ATX Power Input Connector	24-pin Molex	ATX1
Battery Connector	2-pin wafer	BAT1
Chassis Intrusion Header	2-pin header	CHASSIS1
Mini SATA Connectors	20-pin connector	CN1, CN2
Fan Connectors	4-pin wafer	CPU_FAN1/2, SYS_FAN1/2
CPU Power Connector	8-pin connector	CPU12V1
Debug Connector	6-pin wafer	DEBUG_SPI1
DMC6000 Connector	6-pin wafer	DMC6000_CN1
DIMM Sockets	DDR4 DIMM socket	DIMM1, DIMM2
EC Flash Connector	8-pin header	EC_SPI1
I2C Connector	4-pin wafer	I2C1
IDPM Slot	B-key slot	IDPM1
ME Flash Connector	2-pin header	FLASH1
M.2 M-Key Slot	M-key slot	NGFF1
M.2 A-Key Slot	A-key slot	NGFF4
SATA 6Gb/s Connector	7-pin connector	S_ATA1
SATA Power Connector	2-pin wafer	SATA_PWR1
Touch Panel Connector	4-pin wafer	TOUCH_USB1
USB 2.0 Connector	8-pin header	USB_CN4
SPI Flash Connector	6-pin wafer	JSPI1
VR Power Debug Connector	5-pin header	J1
Power Button Connector	2-pin header	JP2
HDD LED Connector	4-pin header	JP3

Table 5-1: Peripheral Interface Connectors

5.2.1 ATX Power Input Connector (ATX1)

PIN NO.	DESCRIPTION	PIN NO.	DESCRIPTION
1	+3.3V	13	+3.3V
2	+3.3V	14	-12V
3	GND	15	GND

PPC2-Cxxx-ADL Series Panel PC

PIN NO.	DESCRIPTION	PIN NO.	DESCRIPTION
4	+5V	16	PS_ON
5	GND	17	GND
6	+5V	18	GND
7	GND	19	GND
8	PWR_OK	20	-5V
9	SB5V	21	+5V
10	+12V	22	+5V
11	+12V	23	+5V
12	+3.3V	24	GND

Table 5-2: ATX Power Source Connector (ATX1) Pinouts

5.2.2 Battery Connector (BAT1)

PIN NO.	DESCRIPTION	PIN NO.	DESCRIPTION
1	+3.3V	2	GND

Table 5-3: Battery Connector (BAT1) Pinouts

5.2.3 Chassis Intrusion (CHASSIS1)

PIN NO.	DESCRIPTION
1-2	Open = Chassis Close
1-2	Short = Chassis Open

Table 5-4: Chassis Intrusion (CHASSIS1) Pinouts

5.2.4 Fan Connectors (CPU_FAN1/2, SYS_FAN1/2)

PIN NO.	DESCRIPTION	PIN NO.	DESCRIPTION
1	GND	3	FANIO
2	+12V	4	PWM

Table 5-5: Fan Connectors (CPU_FAN1/2, SYS_FAN1/2) Pinouts

5.2.5 Mini SATA Connectors (CN1, CN2)

PIN NO.	DESCRIPTION	PIN NO.	DESCRIPTION
1	GND	11	+V5S
2	GND	12	N/C
3	GND	13	N/C

4	GND	14	GND
5	GND	15	SATA_RX5+
6	GND	16	SATA_RX5-
7	+V5S	17	GND
8	+V5S	18	SATA_TX5-
9	+V5S	19	SATA_TX5+
10	+V5S	20	GND

Table 5-6: Mini SATA Connectors (CN1, CN2) Pinouts

5.2.6 CPU Power Connector (CPU12V1)

PIN NO.	DESCRIPTION	PIN NO.	DESCRIPTION
1	GND	2	GND
3	GND	4	GND
5	+12V	6	+12V
7	+12V	8	+12V

Table 5-7: CPU Power Connector (CPU12V1) Pinouts

5.2.7 Debug Connector (DEBUG_SPI1)

PIN NO.	DESCRIPTION	PIN NO.	DESCRIPTION
1	NG	4	EDICLK
2	EDICS	5	EDIDI
3	EDIDO	6	GND

Table 5-8: Debug Connector (DEBUG_SPI1) Pinouts

5.2.8 DMC6000 Connector (DMC6000_CN1)

PIN NO.	DESCRIPTION	PIN NO.	DESCRIPTION
1	+V5S	4	RTS
2	SOUT	5	+V3P3S
3	SIN	6	GND

Table 5-9: DMC6000 Connector (DMC6000_CN1) Pinouts

5.2.9 EC Flash Connector (EC_SPI1)

PIN NO.	DESCRIPTION	PIN NO.	DESCRIPTION
1	SPI_CS#	2	+V3.3A_EC

PPC2-Cxxx-ADL Series Panel PC

PIN NO.	DESCRIPTION	PIN NO.	DESCRIPTION
3	SPI_MISO	4	NC
5	DET_FLASH	6	SPI_CLK
7	GND	8	SPI_MOSI

Table 5-10: EC Flash Connector (EC_SPI1) Pinouts

5.2.10 I2C Connector (I2C1)

PIN NO.	DESCRIPTION	PIN NO.	DESCRIPTION
1	GND	3	DAT
2	CLK	4	+V5S

Table 5-11: I2C Connector (I2C1) Pinouts

5.2.11 IDPM Slot (IDPM1)

PIN NO.	DESCRIPTION	PIN NO.	DESCRIPTION
1	GND	2	+V3P3A
3	GND	4	+V3P3A
5	GND	6	+V3P3A
7	GND	8	+V3P3A
9	GND	10	+V3P3A
11	+V5A	12	Module Key
13	Module Key	14	Module Key
15	Module Key	16	Module Key
17	Module Key	18	Module Key
19	Module Key	20	+V3P3S
21	Display Detect PIN	22	+V3P3S
23	Display Detect PIN	24	+V3P3S
25	GND	26	+V3P3S
27	GND	28	GND
29	EDP_TX3_DN	30	+V12S
31	EDP_TX3_DP	32	+V12S
33	GND	34	+V12S
35	EDP_TX2_DN	36	+V12S
37	EDP_TX2_DP	38	GND
39	GND	40	SMB_CLK
41	EDP_TX1_DN	42	SMB_DATA
43	EDP_TX1_DP	44	GND
45	GND	46	EC_BKLT_CTRL

PIN NO.	DESCRIPTION	PIN NO.	DESCRIPTION
47	EDP_TX0_DN	48	EDP_BKLT_CTRL
49	EDP_TX0_DP	50	EC_EDP_BKLT_EN
51	GND	52	EC_EDP_VDD_EN
53	EDP_AUX_DN	54	EDP_HPD_R
55	EDP_AUX_DP	56	PLT_RST_N
57	GND	58	LVDS_EN
59	GND	60	+V5S
61	GND	62	+V5S
63	GND	64	+V5S
65	GND	66	+V5S
67	GND	68	+V12S
69	GND	70	+V12S
71	GND	72	+V12S
73	GND	74	+V12S
75	GND		

Table 5-12: IDPM Slot (IDPM1) Pinouts

5.2.12 ME Flash Connector (FLASH1)

PIN NO.	DESCRIPTION
1-2	Open = Disabled (No override) Default
1-2	Short = Enabled (OVERRIDE)

Table 5-13: ME Flash Connector (FLASH1) Pinouts

5.2.13 M.2 M-Key Slot (NGFF1)

PIN NO.	DESCRIPTION	PIN NO.	DESCRIPTION
1	GND	2	+V3P3S_SSD
3	GND	4	+V3P3S_SSD
5	PCIE_4_RX_DN	6	NC
7	PCIE_4_RX_DP	8	NC
9	GND	10	NGFF1_ACT_N
11	PCIE_TX_DN4	12	+V3P3S_SSD
13	PCIE_TX_DP4	14	+V3P3S_SSD
15	GND	16	+V3P3S_SSD
17	PCIE_3_RX_DN	18	+V3P3S_SSD
19	PCIE_3_RX_DP	20	NC
21	GND	22	NC

PPC2-Cxxx-ADL Series Panel PC

PIN NO.	DESCRIPTION	PIN NO.	DESCRIPTION
23	PCIE_TX_DN3	24	NC
25	PCIE_TX_DP3	26	NC
27	GND	28	NC
29	PCIE_2_RX_DN	30	NC
31	PCIE_2_RX_DP	32	NC
33	GND	34	NC
35	PCIE_TX_DN2	36	NC
37	PCIE_TX_DP2	38	M_1_SSD_SLP
39	GND	40	NC
41	PCIE_1_RX_DN	42	NC
43	PCIE_1_RX_DP	44	NC
45	GND	46	NC
47	PCIE_TX_DN1	48	NC
49	PCIE_TX_DP1	50	PLT_RST_N
51	GND	52	SRCCLKREQB_13_N
53	PCIE_CLK_DN13	54	NC
55	PCIE_CLK_DP13	56	NC
57	GND	58	NC
59	NC	60	NC
61	NC	62	NC
63	NC	64	NC
65	NC	66	NC
67	NC	68	NC
69	Module Key	70	+V3P3S_SSD
71	GND	72	+V3P3S_SSD
73	GND	74	+V3P3S_SSD
75	GND		

Table 5-14: M.2 M-KEY Slot (NGFF1) Pinouts

5.2.14 M.2 A-Key Slot (NGFF4)

PIN NO.	DESCRIPTION	PIN NO.	DESCRIPTION
1	GND	2	+V3.3_M2
3	USB2_DP9_L	4	+V3.3_M2
5	USB2_DM9_L	6	WLAN_LED
7	GND	8	NC
9	CNV_RXN1	10	CNV_RF_RESET#
11	CNV_RXP1	12	NC

PIN NO.	DESCRIPTION	PIN NO.	DESCRIPTION
13	GND	14	CLKREQ_CNV#
15	CNV_RXN0	16	BT_LED
17	CNV_RXP0	18	GND
19	GND	20	NC
21	CLK_CNV_RXN	22	CNV_BRI_RX
23	CLK_CNV_RXP	24	NC
25	NC	26	NC
27	NC	28	NC
29	NC	30	NC
31	NC	32	CNV_RGI_TX
33	GND	34	CNV_RGI_RX
35	PCIE_5_RX_DP	36	CNV_BRI_TX
37	PCIE_5_RX_DN	38	CL_RST#
39	GND	40	CL_DATA
41	PCIE_TX_DP5	42	CL_CLK
43	PCIE_TX_DN5	44	NC
45	GND	46	NC
47	PCIE_CLK_DP16	48	NC
49	PCIE_CLK_DN16	50	SUSCLK
51	GND	52	PLT_RST_N
53	SRCCLKREQB_15#	54	BT_ON
55	PCH_WAKE_N	56	WLAN_OFF
57	GND	58	NC
59	CNV_TXN1	60	NC
61	CNV_TXP1	62	NC
63	GND	64	NC
65	CNV_TXN0	66	NC
67	CNV_TXP0	68	NC
69	GND	70	NC
71	CLK_CNV_TXN	72	+V3.3_M2
73	CLK_CNV_TXP	74	+V3.3_M2
75	GND		

Table 5-15: M.2 A-Key Slot (NGFF4) Pinouts

5.2.15 SATA 6Gb/s Connector (S_ATA1)

PIN NO.	DESCRIPTION	PIN NO.	DESCRIPTION
1	GND	5	SATA_RX-

PPC2-Cxxx-ADL Series Panel PC

2	SATA_TX+	6	SATA RX+
3	SATA_TX-	7	GND
4	GND		

Table 5-16 : SATA 6Gb/s Connector (S_ATA1) Pinouts

5.2.16 SATA Power Connector (SATA_PWR1)

PIN NO.	DESCRIPTION
1	+5V
2	GND

Table 5-17: SATA Power Connector (SATA_PWR1) Pinouts

5.2.17 Touch Panel Connector (TOUCH_USB1)

PIN NO.	DESCRIPTION
1	+V5S
2	USB2_DM14_L
3	USB2_DP14_L
4	GND

Table 5-18: Touch Panel Connector (TOUCH_USB1) Pinouts

5.2.18 USB 2.0 Connector (USB_CN4)

PIN NO.	DESCRIPTION	PIN NO.	DESCRIPTION
1	VCC_USB3_78	2	GND
3	USB2_DM8_L	4	USB2_DP7_L
5	USB2_DM8_L	6	USB2_DM7_L
7	GND	8	VCC_USB3_78

Table 5-19: USB 2.0 Connector (USB_CN4) Pinouts

5.2.19 SPI Flash Connector (JSPI1)

PIN NO.	DESCRIPTION	PIN NO.	DESCRIPTION
1	+3.3V	4	SPI_CLK_SW
2	SPI_CS#0_SW	5	SPI_SI_SW
3	SPI_SO_SW	6	GND

Table 5-20: SPI Flash Connector (JSPI1) Pinouts

5.2.20 VR Power Debug Connector (J1)

PIN NO.	DESCRIPTION
1	MP2960_SCL
2	MP2960_SDA
3	GND
4	MP2940_SCL
5	MP2940_SDA

Table 5-21: VR Power IC Debug Connector (J1) Pinouts

5.2.21 Power Button Connector (JP2)

PIN NO.	DESCRIPTION
1	+3V
2	GND

Table 5-22: Power Button Connector (JP2) Pinouts

5.2.22 HDD LED Connector (JP3)

PIN NO.	DESCRIPTION
1	+5VS
2	GND
3	+5VS
4	SATA_LED

Table 5-23: HDD LED Connector (JP3) Pinouts

Appendix

A

Regulatory Compliance

DECLARATION OF CONFORMITY

This equipment is in conformity with the following EU directives:

- EMC Directive (2014/30/EU)
- Low-Voltage Directive (2014/35/EU)
- RoHS II Directive (2011/65/EU, 2015/863/EU)

If the user modifies and/or install other devices in the equipment, the CE conformity declaration may no longer apply.

If this equipment has telecommunications functionality, it also complies with the requirements of the Radio Equipment Directive 2014/53/EU.

English

IEI Integration Corp declares that this equipment is in compliance with the essential requirements and other relevant provisions of Directive 2014/53/EU.

Български [Bulgarian]

IEI Integration Corp. декларира, че този оборудване е в съответствие със съществените изисквания и другите приложими правила на Директива 2014/53/EU

Česky [Czech]

IEI Integration Corp tímto prohlašuje, že tento zařizení je ve shodě se základními požadavky a dalšími příslušnými ustanoveními směrnice 2014/53/EU.

Dansk [Danish]

IEI Integration Corp erklærer herved, at følgende udstyr overholder de væsentlige krav og øvrige relevante krav i direktiv 2014/53/EU.

Deutsch [German]

IEI Integration Corp, erklärt dieses Gerät entspricht den grundlegenden Anforderungen und den weiteren entsprechenden Vorgaben der Richtlinie 2014/53/EU.

Eesti [Estonian]

IEI Integration Corp deklareerib seadme seadme vastavust direktiivi 2014/53/EÜ põhinõuetele ja nimetatud direktiivist tulenevatele teistele asjakohastele sätetele.

Español [Spanish]

IEI Integration Corp declara que el equipo cumple con los requisitos esenciales y cualesquiera otras disposiciones aplicables o exigibles de la Directiva 2014/53/EU.

PPC2-Cxxx-ADL Series Panel PC

Ελληνική [Greek]

IEI Integration Corp ΔΗΛΩΝΕΙ ΟΤΙ ΕΞΟΠΛΙΣΜΟΣ ΣΥΜΜΟΡΦΩΝΕΤΑΙ ΠΡΟΣ ΤΙΣ ΟΥΣΙΩΔΕΙΣ ΑΠΑΙΤΗΣΕΙΣ ΚΑΙ ΤΙΣ ΛΟΙΠΕΣ ΣΧΕΤΙΚΕΣ ΔΙΑΤΑΞΕΙΣ ΤΗΣ ΟΔΗΓΙΑΣ 2014/53/EU.

Français [French]

IEI Integration Corp déclare que l'appareil est conforme aux exigences essentielles et aux autres dispositions pertinentes de la directive 2014/53/EU.

Italiano [Italian]

IEI Integration Corp dichiara che questo apparecchio è conforme ai requisiti essenziali ed alle altre disposizioni pertinenti stabilite dalla direttiva 2014/53/EU.

Latviski [Latvian]

IEI Integration Corp deklarē, ka iekārta atbilst būtiskajām prasībām un citiem ar to saistītajiem noteikumiem Direktīvas 2014/53/EU.

Lietuvių [Lithuanian]

IEI Integration Corp deklaruoja, kad šis įranga atitinka esminius reikalavimus ir kitas 2014/53/EU Direktyvos nuostatas.

Nederlands [Dutch]

IEI Integration Corp dat het toestel toestel in overeenstemming is met de essentiële eisen en de andere relevante bepalingen van richtlijn 2014/53/EU.

Malti [Maltese]

IEI Integration Corp jiddikjara li dan prodott jikkonforma mal-ħtiġijiet essenzjali u ma provvedimenti oħrajn rilevanti li hemm fid-Dirrettiva 2014/53/EU.

Magyar [Hungarian]

IEI Integration Corp nyilatkozik, hogy a berendezés megfelel a vonatkozó alapvető követelményeknek és az 2014/53/EU irányelv egyéb előírásainak.

Polski [Polish]

IEI Integration Corp oświadcza, że wyrobu jest zgodny z zasadniczymi wymogami oraz pozostałymi stosownymi postanowieniami Dyrektywy 2014/53/EU.

Português [Portuguese]

IEI Integration Corp declara que este equipamento está conforme com os requisitos essenciais e outras disposições da Directiva 2014/53/EU.

Româna [Romanian]

IEI Integration Corp declară că acest echipament este în conformitate cu cerințele esențiale și cu celelalte prevederi relevante ale Directivei 2014/53/EU.

Slovensko [Slovenian]

IEI Integration Corp izjavlja, da je ta opreme v skladu z bistvenimi zahtevami in ostalimi relevantnimi določili direktive 2014/53/EU.

Slovensky [Slovak]

IEI Integration Corp týmto vyhlasuje, že zariadenia spĺňa základné požiadavky a všetky príslušné ustanovenia Smernice 2014/53/EU.

Suomi [Finnish]

IEI Integration Corp vakuuttaa täten että laitteet on direktiivin 2014/53/EU oleellisten vaatimusten ja sitä koskevien direktiivin muiden ehtojen mukainen.

Svenska [Swedish]

IEI Integration Corp förklarar att denna utrustningstyp står i överensstämmelse med de väsentliga egenskapskrav och övriga relevanta bestämmelser som framgår av direktiv 2014/53/EU.

PPC2-Cxxx-ADL Series Panel PC**FCC WARNING**

This equipment complies with Part 15 of the FCC Rules. Operation is subject to the following two conditions:

- This device may not cause harmful interference, and
- This device must accept any interference received, including interference that may cause undesired operation.

This equipment has been tested and found to comply with the limits for a Class A digital device, pursuant to part 15 of the FCC Rules. These limits are designed to provide reasonable protection against harmful interference when the equipment is operated in a commercial environment. This equipment generates, uses, and can radiate radio frequency energy and, if not installed and used in accordance with the instruction manual, may cause harmful interference to radio communications. Operation of this equipment in a residential area is likely to cause harmful interference in which case the user will be required to correct the interference at his own expense.

Federal Communication Commission Interference Statement

This equipment has been assembled with components that comply with the limits for a Class B digital device, pursuant to Part 15 of the FCC Rules. These limits are designed to provide reasonable protection against harmful interference in a residential installation. This equipment generates, uses and can radiate radio frequency energy and, if not installed and used in accordance with the instructions, may cause harmful interference to radio communications. However, there is no guarantee that interference will not occur in a particular installation. If this equipment does cause harmful interference to radio or television reception, which can be determined by turning the equipment off and on, the user is encouraged to try to correct the interference by one of the following measures:

- Reorient or relocate the receiving antenna.
- Increase the separation between the equipment and receiver.
- Connect the equipment into an outlet on a circuit different from that to which the receiver is connected.
- Consult the dealer or an experienced radio/TV technician for help.

Appendix

B

Safety Precautions

**WARNING:**

The precautions outlined in this chapter should be strictly followed. Failure to follow these precautions may result in permanent damage to the PPC-Cxxx-ADL.

B.1.1 Safety Precautions

Please follow the safety precautions outlined in the sections that follow:

B.1.1.1 General Safety Precautions

Please ensure the following safety precautions are adhered to at all times.

- ***Follow the electrostatic precautions*** outlined below whenever the device is opened.
- ***Make sure the power is turned off and the power cord is disconnected*** whenever the PPC-Cxxx-ADL is being installed, moved or modified.
- ***To prevent the risk of electric shock, make sure power cord is unplugged from wall socket.*** To fully disengage the power to the unit, please disconnect the power cord from the power outlet. Refer servicing to qualified service personnel. The power outlet shall be readily available and accessible.
- ***Do not apply voltage levels that exceed the specified voltage range.*** Doing so may cause fire and/or an electrical shock. Use a power cord that matches the voltage of the power outlet, which has been approved and complies with the safety standard of your particular country.
- ***Electric shocks can occur*** if the PPC-Cxxx-ADL chassis is opened when it is running. To avoid risk of electric shock, this device must only be connected to a supply mains with protective earth.
- ***Do not drop or insert any objects*** into the ventilation openings of the PPC-Cxxx-ADL.
- ***If considerable amounts of dust, water, or fluids enter the device,*** turn off the power supply immediately, unplug the power cord, and contact the PPC-Cxxx-ADL vendor.

- **DO NOT:**
 - Drop the device against a hard surface.
 - In a site where the ambient temperature exceeds the rated temperature

B.1.1.2 Anti-static Precautions



WARNING:

Failure to take ESD precautions during the installation of the PPC-Cxxx-ADL may result in permanent damage to the PPC-Cxxx-ADL and severe injury to the user.

Electrostatic discharge (ESD) can cause serious damage to electronic components, including the PPC-Cxxx-ADL. Dry climates are especially susceptible to ESD. It is therefore critical that whenever the PPC-Cxxx-ADL is opened and any of the electrical components are handled, the following anti-static precautions are strictly adhered to.

- ***Wear an anti-static wristband:*** Wearing a simple anti-static wristband can help to prevent ESD from damaging any electrical component.
- ***Self-grounding:*** Before handling any electrical component, touch any grounded conducting material. During the time the electrical component is handled, frequently touch any conducting materials that are connected to the ground.
- ***Use an anti-static pad:*** When configuring or working with an electrical component, place it on an anti-static pad. This reduces the possibility of ESD damage.
- ***Only handle the edges of the electrical component:*** When handling the electrical component, hold the electrical component by its edges.

PPC2-Cxxx-ADL Series Panel PC

B.1.1.3 Product Disposal



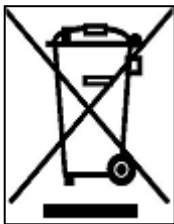
CAUTION:

Risk of explosion if battery is replaced by an incorrect type. Only certified engineers should replace the on-board battery.

Dispose of used batteries according to instructions and local regulations.

Outside the European Union—If you wish to dispose of used electrical and electronic products outside the European Union, please contact your local authority so as to comply with the correct disposal method.

Within the European Union—The device that produces less waste and is easier to recycle is classified as electronic device in terms of the European Directive 2012/19/EU (WEEE), and must not be disposed of as domestic garbage.



EU-wide legislation, as implemented in each Member State, requires that waste electrical and electronic products carrying the mark (left) must be disposed of separately from normal household waste. This includes monitors and electrical accessories, such as signal cables or power cords. When you need to dispose of your display products, please follow the guidance of your local authority, or ask the shop where you purchased the product. The mark on electrical and electronic products only applies to the current European Union Member States.

Please follow the national guidelines for electrical and electronic product disposal.

B.1.2 Maintenance and Cleaning Precautions

When maintaining or cleaning the PPC-Cxxx-ADL, please follow the guidelines below.

**WARNING:**

For safety reasons, turn-off the power and unplug the panel PC before cleaning.

If you dropped any material or liquid such as water onto the panel PC when cleaning, unplug the power cable immediately and contact your dealer or the nearest service center. Always make sure your hands are dry when unplugging the power cable.

B.1.2.1 Maintenance and Cleaning

Prior to cleaning any part or component of the PPC-Cxxx-ADL, please read the details below.

- Except for the LCD panel, never spray or squirt liquids directly onto any other components. To clean the LCD panel, gently wipe it with a piece of soft dry cloth or a slightly moistened cloth.
- The interior of the device does not require cleaning. Keep fluids away from the device interior.
- Be cautious of all small removable components when vacuuming the device.
- Never drop any objects or liquids through the openings of the device.
- Be cautious of any possible allergic reactions to solvents or chemicals used when cleaning the device.
- Avoid eating, drinking and smoking within vicinity of the device.

B.1.2.2 Cleaning Tools

Some components in the PPC-Cxxx-ADL may only be cleaned using a product specifically designed for the purpose. In such case, the product will be explicitly mentioned in the cleaning tips. Below is a list of items to use when cleaning the PPC-Cxxx-ADL.

- **Cloth**—Although paper towels or tissues can be used, a soft, clean piece of cloth is recommended when cleaning the device.
- **Water or rubbing alcohol**—A cloth moistened with water or rubbing alcohol can be used to clean the device.
- **Using solvents**—The use of solvents is not recommended when cleaning the device as they may damage the plastic parts.

PPC2-Cxxx-ADL Series Panel PC

- **Vacuum cleaner**—Using a vacuum specifically designed for computers is one of the best methods of cleaning the device. Dust and dirt can restrict the airflow in the device and cause its circuitry to corrode.
- **Cotton swabs**—Cotton swabs moistened with rubbing alcohol or water are excellent tools for wiping hard to reach areas.
- **Foam swabs**—Whenever possible, it is best to use lint free swabs such as foam swabs for cleaning.

Appendix

C

Watchdog Timer



NOTE:

The following discussion applies to DOS environment. IEI support is contacted or the IEI website visited for specific drivers for more sophisticated operating systems, e.g., Windows and Linux.

The Watchdog Timer is provided to ensure that standalone systems can always recover from catastrophic conditions that cause the CPU to crash. This condition may have occurred by external EMI or a software bug. When the CPU stops working correctly, Watchdog Timer either performs a hardware reset (cold boot) or a Non-Maskable Interrupt (NMI) to bring the system back to a known state.

A BIOS function call (INT 15H) is used to control the Watchdog Timer:

INT 15H:

AH – 6FH Sub-function:	
AL – 2:	Sets the Watchdog Timer’s period.
BL:	Time-out value (Its unit-second is dependent on the item “Watchdog Timer unit select” in CMOS setup).

Table C-1: AH-6FH Sub-function

Call sub-function 2 to set the time-out period of Watchdog Timer first. If the time-out value is not zero, the Watchdog Timer starts counting down. While the timer value reaches zero, the system resets. To ensure that this reset condition does not occur, calling sub-function 2 must periodically refresh the Watchdog Timer. However, the Watchdog timer is disabled if the time-out value is set to zero.

A tolerance of at least 10% must be maintained to avoid unknown routines within the operating system (DOS), such as disk I/O that can be very time-consuming.

**NOTE:**

When exiting a program it is necessary to disable the Watchdog Timer, otherwise the system resets.

Example program:

```
; INITIAL TIMER PERIOD COUNTER
;
W_LOOP:

    MOV    AX, 6F02H    ;setting the time-out value
    MOV    BL, 30      ;time-out value is 48 seconds
    INT    15H

;
; ADD THE APPLICATION PROGRAM HERE
;

    CMP    EXIT_AP, 1    ;is the application over?
    JNE    W_LOOP      ;No, restart the application

    MOV    AX, 6F02H    ;disable Watchdog Timer
    MOV    BL, 0        ;
    INT    15H

;
; EXIT ;
```

Appendix

D

Hazardous Materials Disclosure

D.1.1 RoHS II Directive (2015/863/EU)

The details provided in this appendix are to ensure that the product is compliant with the RoHS II Directive (2015/863/EU). The table below acknowledges the presences of small quantities of certain substances in the product, and is applicable to RoHS II Directive (2015/863/EU).

Please refer to the following table.

Part Name	Toxic or Hazardous Substances and Elements									
	Lead (Pb)	Mercury (Hg)	Cadmium (Cd)	Hexavalent Chromium (CR(VI))	Polybrominated Biphenyls (PBB)	Polybrominated Diphenyl Ethers (PBDE)	Bis(2-ethylhexyl) phthalate (DEHP)	Butyl benzyl phthalate (BBP)	Dibutyl phthalate (DBP)	Diisobutyl phthalate (DIBP)
Housing	O	O	O	O	O	O	O	O	O	O
Printed Circuit Board	O	O	O	O	O	O	O	O	O	O
Metal Fasteners	O	O	O	O	O	O	O	O	O	O
Cable Assembly	O	O	O	O	O	O	O	O	O	O
Fan Assembly	O	O	O	O	O	O	O	O	O	O
Power Supply Assemblies	O	O	O	O	O	O	O	O	O	O
Battery	O	O	O	O	O	O	O	O	O	O
<p>O: This toxic or hazardous substance is contained in all of the homogeneous materials for the part is below the limit requirement in Directive (EU) 2015/863.</p> <p>X: This toxic or hazardous substance is contained in at least one of the homogeneous materials for this part is above the limit requirement in Directive (EU) 2015/863.</p>										

PPC2-Cxxx-ADL Series Panel PC

D.1.2 China RoHS

此附件旨在确保本产品符合中国 RoHS 标准。以下表格标示此产品中某有毒物质的含量符合中国 RoHS 标准规定的限量要求。

本产品上会附有“环境友好使用期限”的标签，此期限是估算这些物质“不会有泄漏或突变”的年限。本产品可能包含有较短的环境友好使用期限的可替换元件，像是电池或灯管，这些元件将会单独标示出来。

部件名称	有毒有害物质或元素					
	铅 (Pb)	汞 (Hg)	镉 (Cd)	六价铬 (CR(VI))	多溴联苯 (PBB)	多溴二苯醚 (PBDE)
壳体	○	○	○	○	○	○
印刷电路板	○	○	○	○	○	○
金属螺帽	○	○	○	○	○	○
电缆组装	○	○	○	○	○	○
风扇组装	○	○	○	○	○	○
电力供应组装	○	○	○	○	○	○
电池	○	○	○	○	○	○

○: 表示该有毒有害物质在该部件所有物质材料中的含量均在 SJ/T11364-2014 與 GB/T26572-2011 标准规定的限量要求以下。
 X: 表示该有毒有害物质至少在该部件的某一均质材料中的含量超出 SJ/T11364-2014 與 GB/T26572-2011 标准规定的限量要求。