

uIBX-260-EHL

Ultra Compact Size

Features

- Fanless system with Intel® Celeron® J6412 processor
- M.2 for expansion
- Four USB 3.2 Gen2 (10Gb/s) ports
- Two GbE LAN ports



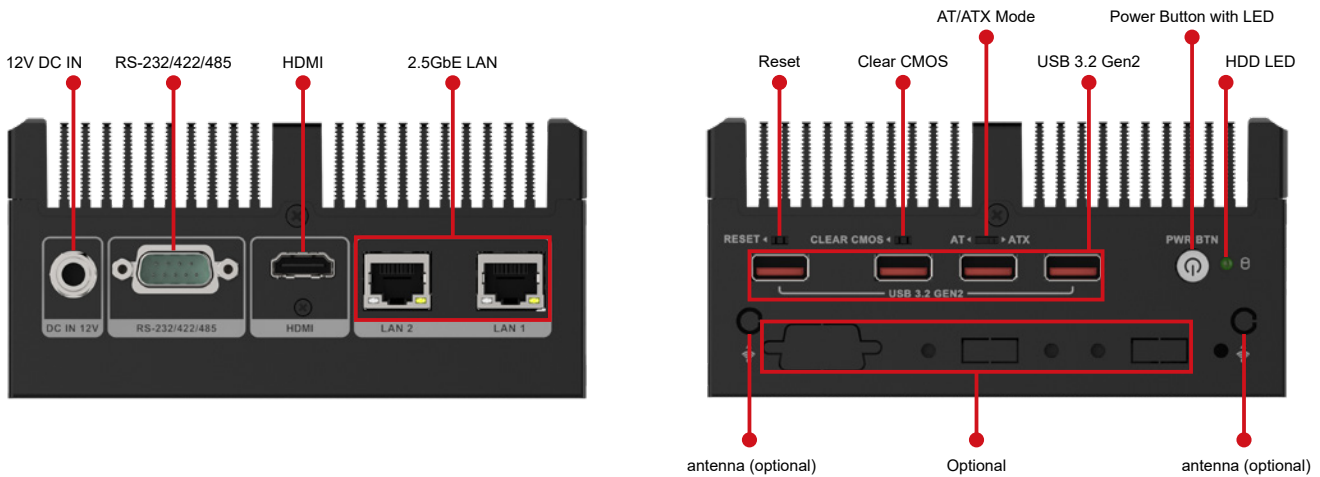
Specifications

Model Name		uIBX-260-EHL
Chassis	Color	Black
	Dimensions (WxDxH) (mm)	137 x 102.8 x 65.8
	System Fan	Fanless
	Chassis Construction	Extruded aluminum alloy
Processor	CPU	Intel® Celeron® J6412 2.0GHz (up to 2.6GHz, quad-core, TDP 10W)
	Chipset	SoC
Memory	System Memory	Onboard LPDDR4x 3200MHz 8G (up to 16GB)
Storage	SATA	1 x 2.5" SATA 6Gb/s HDD/SSD bay
I/O Interfaces	USB	4 x USB 3.2 Gen2 2 x USB 2.0 (optional) ¹
	Ethernet	2 x RJ-45 PCIe 2.5 GbE by I225V controller
	Display	1 x HDMI 1.4b (up to 4k@ 30Hz)
	COM	1x RS-232/422/485 (DB9) 1x RS-232 (optional)
	Storage	1 x eMMC (optional) ²
	Wireless	1 x 802.11a/b/g/n/ac (M.2 A Key optional)
	TPM2.0	Intel PTT
	Other	1 x Power Button (with LED), 1 x Reset Button, 1 x AT/ATX switch, 1 x Clear CMOS Button, 1 x HDD LED
Expansions	M.2	1 x 2230 A-key (PCIe Gen3 x1/USB 2.0) 1 x 2280 M-key (PCIe Gen3 x2)
	Power	Power Input DC JACK: 12 V DC
Power	Power Consumption	12V@3.6 (Intel® Celeron® J6412 with 8GB DDR4 Memory)
	Reliability	Mounting
Operating Temperature		-10°C ~ 50°C with air flow (M.2), 10% ~ 95%, non-condensing
Storage Temperature		-20°C ~70°C with air flow (M.2), 10% ~ 90%, non-condensing
Operating Shock		Half-sine wave shock 5G, 11ms, 100 shocks per axis (SSD)
Operation Vibration		10-500 Hz, 1.04 Grms, random, 1 hr/axis (SSD)
Weight (Net/Gross)		0.97 /1.74kg
Safety / EMC		CE, FCC, UKCA
Watchdog timer		Programmable 1~255 sec/min
OS	Supported OS	Microsoft® Windows® 10/11, Linux

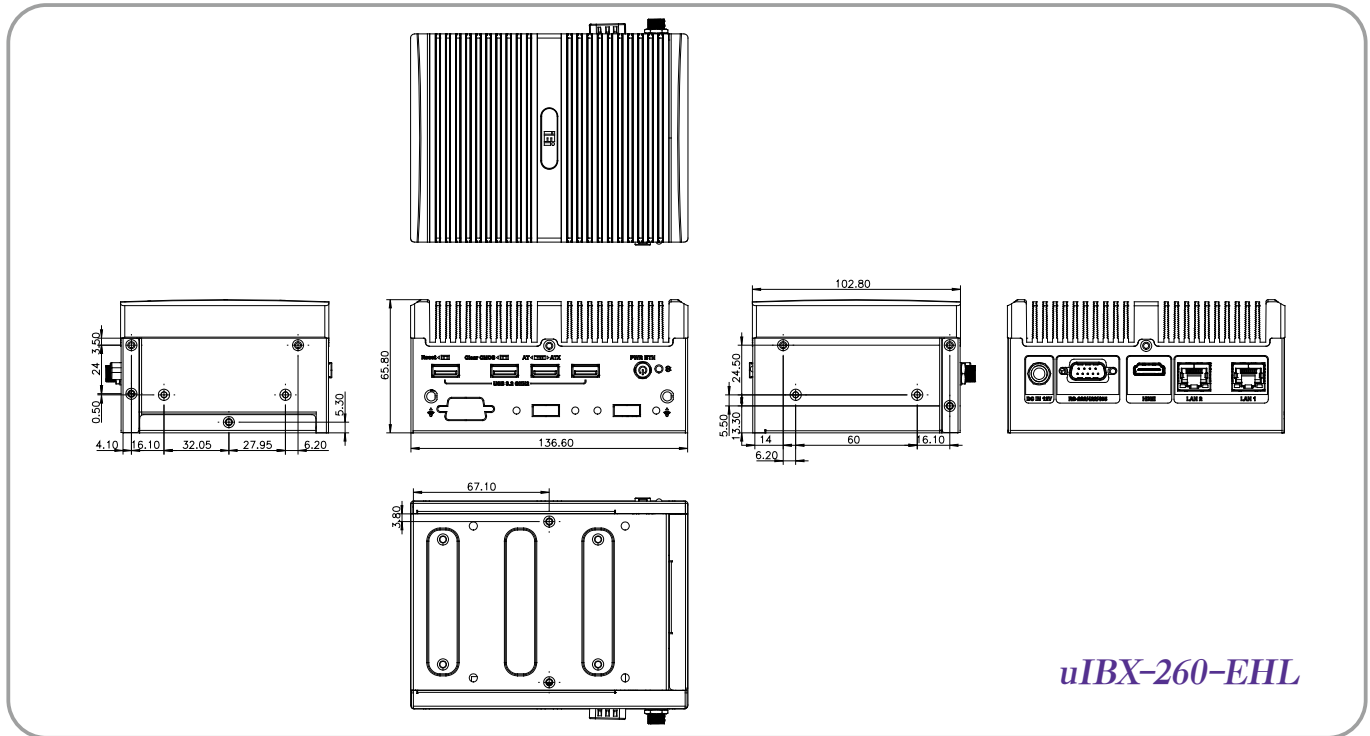
¹ USB expansion is applicable only when 2.5-inch hard disk is not installed.

² Based on project discussion, it might have MOQ criteria. Please contact with Sales Account.

Fully Integrated I/O



Dimensions (Unit: mm)



uIBX-260-EHL

Ordering Information

Part No.	Description
uIBX-260-EHL-JC-R10	Extend temperature Fanless embedded system with Intel® Celeron J6412 2.0GHz, (up to 2.6 GHz, Quad Core, TDP 10W), 1 x RS232, 1 x RS-232/422/485, 4 x USB 3.2, 1 x HDMI, 2 x 2.5GbE Lan, 12V DC, RoHs
uIBX-260-EHL-W10IoT21-E-R10	OS Image with Windows® 10 Enterprise Entry 64-bit 2021 LTSC for uIBX-260-EHL Series, with DVD-ROM, RoHs

Options

Part No.	Description
EMB-WIFI-KIT02I3-R10	2T2R M.2 wifi module kit for embedded system, IEEE802.11a/b/g/n/ac/ax, 1 x M.2 AE Key Wireless LAN & Bluetooth 5.2; Intel; AX210.NGWW Module, 2 x RF cable, 2 x Antenna; RoHs
32001-008600-200-RS	USB CABLE; 210mm; (A)USB A TYPE 4PIN FEMALE *2; (B)DU PONT 2*4P P=2.0
32205-008000-100-RS	RS-232/422/485 CABLE; 250mm; (A)D-SUB 9P MALE, BLUE; (B)MOLEX 51021-0900 P=1.25

Packing List

1 x Power Adapter	1 x Mounting Bracket
1 x Mounting Screw	1 x Power Cord