

PPC

PPC-SP7625 15"
PPC-SP7627 17"
PPC-SP7629 19"

High Performance Intel®
 3rd Gen. Core™ i5/i3 and
 Pentium® Processor 15"/
 17"/ 19" Panel PC

Features and Benefits:

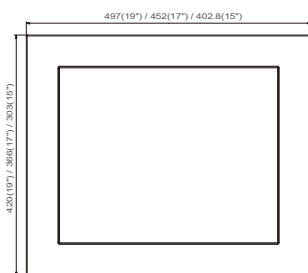
- LGA1155 Intel® 3rd Gen. Core™ i5/i3 and Pentium® Processor
- Equipped with Intel® Q77 Chipset
- Memory support Two DDR3 DIMM sockets 1333/1600 up to 16 GB
- Support Dual Gigabit LAN & USB 3.0
- Support SATA RAID 0, 1, 5, 10
- Front Panel IP65 & NEMA 4X Design
- Stainless steel front bezel
- Optional 2 x PCI slot riser card



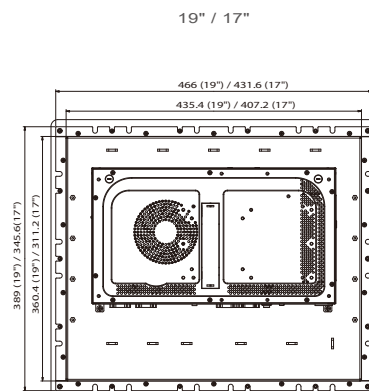
PPC-SP7625 / PPC-SP7627 / PPC-SP7629

High Performance Intel® 3rd Gen. Core™ i5/i3 and Pentium® Processor
15"/ 17"/ 19" Panel PC

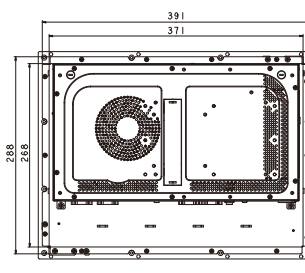
Front View



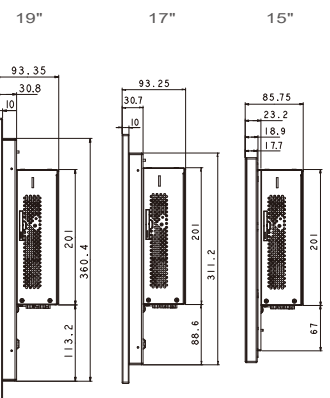
Rear View



15"



Side View



Unit: mm

Specification

Systems

CPU Type	Intel® 3rd Gen. Core™ i5/i3 and Pentium® processor
Chipset	Intel® PCH Q77
Memory Support	2x 240-pin DDR3 DIMM
Front Bezel	Stainless steel (SUS 304)
IP65	Yes (for front panel only)
Watchdog	1~255 secs Watchdog timer selectable
Power Supply	ATX 220W power supply
O.S. Support	Windows 7

Dimension	PPC-SP7629: 497 x 420 x 93.4 mm PPC-SP7627: 452 x 366 x 93.3 mm PPC-SP7625: 402.8 x 303 x 85.8 mm
------------------	---

System Weight	PPC-SP7629: 10.6kg PPC-SP7627: 9kg PPC-SP7625: 7.5kg
----------------------	--

VESA Mounting Support	75 mm / 100 mm VESA bracket (optional)
------------------------------	--

Certificate	FCC / CE
--------------------	----------

Display

LCD

19" LED backlight 300 nit LCD, resolution 1280 x 1024
17" LED backlight 350 nit LCD, resolution 1280 x 1024
15" LED backlight 400 nit LCD, resolution 1024 x 768

Touch Screen

(ELO) 5W Analog resistive (USB interface)

Environment

Operation Temp. 0° ~ 50°C (32° ~ 122°F)

Storage Temp. - 20° ~ 80°C (- 4° ~ 176°F)

Humidity 20% ~ 90%

I/O Ports

USB	4 x USB 3.0
Keyboard / Mouse	2 x PS/2 port
Audio	1 x Line-in / Line-out / MIC in
Parallel Port	1 x Parallel port (SPP / EPP / ECP)
Serial Port	4 x COM port (COM 1/3/4 for RS232, COM 2 for RS232 / 422 / 485, COM 3/4 support +5V, +12V selectable)
Digital I/O	4-in / 4-out
LAN	2 x LAN (10/100/1000 Mbps)
VGA	1 x VGA
Drive Bay	2 x 2.5" SATA HDD, 1 x slim CD-ROM (optional)
Expansion Slots	2 x PCI slot (optional), 1 x mini PCIe slot