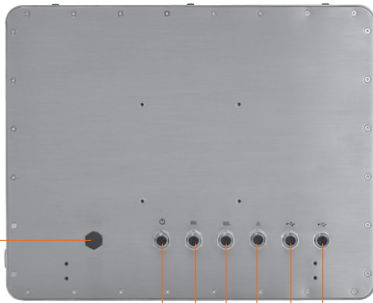


# GOT815-834

15" XGA TFT IP66-rated Stainless Steel Fanless PCT (or Resistive Touch) Panel Computer with Flat Bezel Design with Intel® Atom™ Processor E3827 (-20°C ~ +55°C)

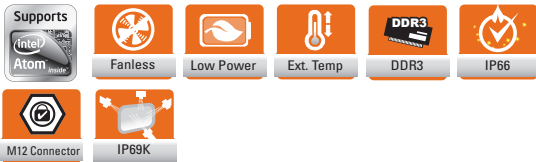
NEW



waterproof, dust proof ventilation valve

4 5 6 7 8 9

1. Backlight switch
2. Brightness adjust
3. Power switch (ATX)
4. DC power connector (A-coded)
5. COM 1 (RS-232/422/485) (A-coded)
6. COM 2 (RS-232/422/485) (A-coded)
7. Ethernet (X-coded)
8. USB 2.0 x 2 (A-coded)
9. USB 2.0 x 2 (A-coded)



## Introduction

The 15-inch GOT815 is specially designed for food processing applications. Its IP66-rating stainless steel housing protects entire system from damage of water, powder and dust. It also outfits wide operating temperature range of -20°C ~ +55°C. Thus, this robust unit is best suited for extreme humidity, dusty or wet spaces in food factories or kitchens and more harsh applications.

### IP66-sealed system

The GOT815 adopts a water/dust-proof housing design and five IP66-rated connectors. It passes entire system IP66 test by SGS and verified salt mist test.

### Full IP66 and IP69K compliance

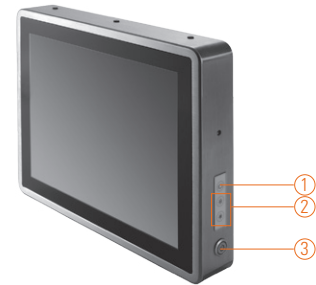
Full IP66 rating, M12 I/O connectors and IP69K compliance that ensures the product's ability to resist ingress of high temperature and high pressure water and was tested by a spray nozzle with high temperature water (80°C) and a flow rate of 14–16 L/min and a nozzle hold with distance 10–15cm away from the device at angles of 0°, 30°, 60° and 90° for 30 seconds, GOT815 is qualified to meet harsh environment applications.

### Wide temp. (-20°C ~ +55°C) & anti-vibration (2G) design

The industrial touch panel PC supports wide temperature of -20°C ~ +55°C. Besides, the patent of anti-vibration for SSD ensures system reliability and stability.

## Features

- 15" XGA TFT LCD flat bezel-projected capacitive (or resistive) touch
- Water/dust/corrosion-proof design IP66/IP69K (NEMA4X)
- Full stainless steel enclosure with type 316
- Wide operating temperature range of -20°C ~ +55°C
- Fanless system with Intel® Atom™ processor E3827 1.75 GHz
- Wireless network connectivity
- Flexible and expandable with variety of M12 type I/O connections
- Wide range DC 9~36V
- Supports suspension and VESA mount
- M12 type connectors for harsh environments



▲ Side view

## Specifications

|                  |  |   |
|------------------|--|---|
| Enclosure        | Stainless type 316   |   |
| LCD Panel        | Display Type   | 15" XGA TFT LCD                                   |
|                  | Brightness (cd/m <sup>2</sup> )  | 420 nits  |
|                  | Resolution   | 1024 x 768  |
|                  | Viewing Angle (H/V)  | 160°/160°   |
| Main System      | CPU  | Intel® Atom™ processor E3827 1.75 GHz (Bay Trail) |
|                  | Chipset  | SoC Intergrated                                   |
|                  | System Memory  | 1 x 204-pin DDR3L SO-DIMM max. up to 8 GB         |
| BIOS             | AMI with Axiomtek standard features; such as, SmartView, Ethernet Boot ROM (RPL & PXE), customer CMOS backup |   |
| Storage          | 1 x 2.5" SSD<br>1 x CFast™   |   |
| Watchdog Timer   | 255 levels, 1~255 sec.   |   |
| Onboard Graphics | Integrated in Intel® GFX   |   |



## Specifications

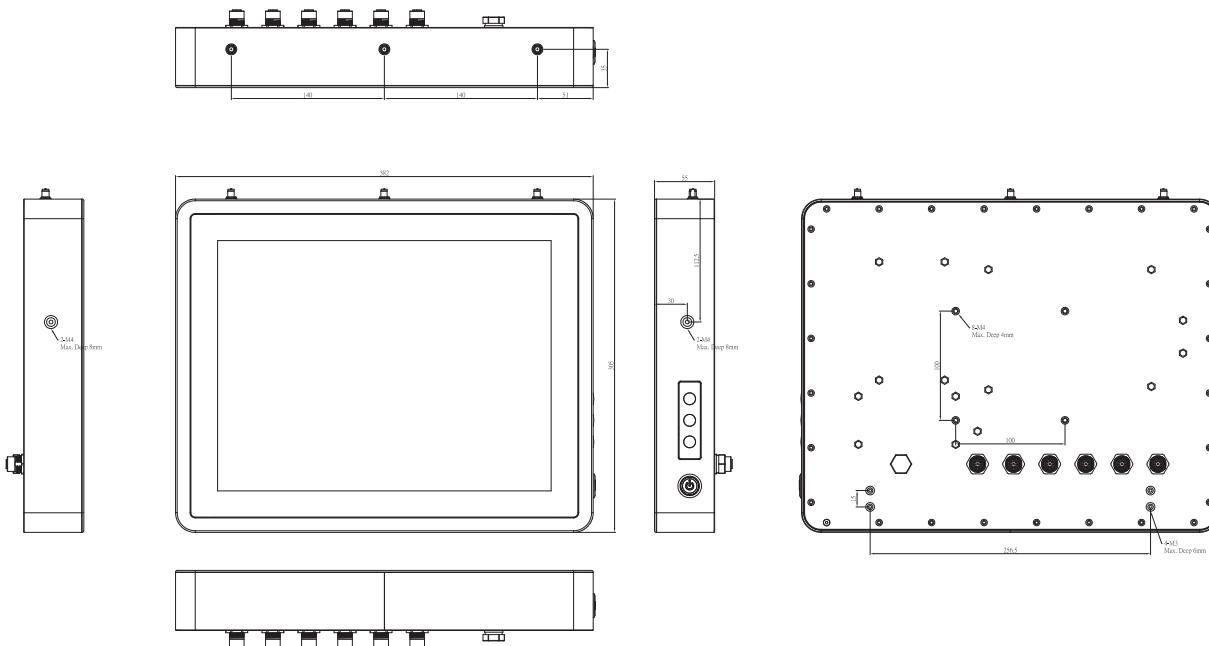
|                     |   |
|---------------------|---|
| I/O Connector       | 2 x RS-232/422/485 (default RS-232, A-Coded)<br>4 x USB 2.0 (A-Coded)<br>1 x 10/100/1000Mbps Ethernet (X-Coded)   |
| Expansion Interface | 2 x PCIe Mini Card slot   |
| Touchscreen         | 5-wire resistive touch or projected capacitive multi-touch  |
| Power Supply        | Power input 9-36VDC   |
| Dimensions          | 382 mm (15.4") (W) x 55 mm (2.17") (D) x 305 mm (12.01") (H)  |
| Packing Dimensions  | 510 mm (20.07") (W) x 186 mm (7.32") (D) x 532 mm (20.94") (H)  |
| Weight (net/gross)  | 5.2kg (11.46lb)/ 8.4kg (18.51lb)  |
| Environment         | Operating temperature: -20°C ~ +55°C (-4°F ~ +131°F)<br>Storage Temperature: -30°C ~ +70°C (-22°F ~ +158°F)<br>Relative humidity: 10% ~ 95% @ 40°C, non-condensing<br>Operation vibration:<br>2G, 5 ~ 500Hz, random for 2.5" SSD<br>2G, 5 ~ 500Hz, random for CompactFlash™ |
| Certificate         | CE  |

\* W.T.: Wide Temperature. All W.T. supported products have to be sorted by Axiomtek.

## Optional Accessories

|              |  |
|--------------|--|
| 594B8122100E | Water-proof COM port cable (1.8 m)       |
| 594B8122820E | Water-proof USB cable (1.8 m)            |
| 594B8152710E | Water-proof LAN cable (1.8 m)            |
| 50964A23000E | 72W/24V power adapter with M12 connector |

## Dimensions



## Ordering Information

| Sunlight readable type |   |
|------------------------|---|
| GOT815-834-C-DC        | 15" XGA fanless IP66-rated stainless steel touch panel computer with Intel® Atom™ E3827, projected capacitive touch screen, 9-36VDC power input, flat-bezel design and Wi-Fi or 3G  |
| GOT815-834-C-RF-DC     | 15" XGA fanless IP66-rated stainless steel touch panel computer with Intel® Atom™ E3827, projected capacitive touch screen, 9-36VDC power input, flat-bezel design and Wi-Fi or 3G  |
| GOT815-834-R-DC        | 15" XGA fanless IP66-rated stainless steel touch panel computer with Intel® Atom™ E3827, 5-wire flat resistive touch screen, 9-36VDC power input, flat-bezel design and Wi-Fi or 3G |
| GOT815-834-R-RF-DC     | 15" XGA fanless IP66-rated stainless steel touch panel computer with Intel® Atom™ E3827, 5-wire flat resistive touch screen, 9-36VDC power input, flat-bezel design and Wi-Fi or 3G |

\* Specification and certifications are based on options and may vary.

## Optional EOS Installation

|       |
|-------|
| WES 7 |
| WEBS  |

## Optional OS Installation

|                |
|----------------|
| Windows® 7     |
| Windows® 8/8.1 |

Overview

Fanless Touch Panel Computers

2  
Heavy-duty Fanless Touch Panel Computers

Industrial Touch Panel Computers

Industrial Touch panel Monitors

Infotainment Touch Panel Computers

Healthcare & Medical Solutions

Open Frame Panel Computers

Accessories

