

# Heavy Industrial Monitor

## 6.5"~15" DM-F IP65 Industrial Monitor

### Features

- Robust IP65 aluminum front bezel
- Aesthetic ultra-thin bezel for seamless panel mount installation
- DC input
- DVI / VGA flexible video input solution
- Resistive single touch
- Wide temperature support



### Specifications

**New**

**New**

Model		DM-F65A	DM-F08A	DM-F12A	DM-F15A
LCD	LCD Display	6.5" (4:3)	8" (4:3)	12" (4:3)	15" (4:3)
	Max. Resolution	640 (W) x 480 (H)	800 x 600	1024 (W) x 768 (H)	1024 (W) x 768 (H)
	Brightness (cd/m <sup>2</sup> )	800	500	600	450
	Contrast Ratio	600:1	500:1	700 : 1	800 : 1
	LCD Color	16.2M	262K	16.2M	16.2M
	Pixel Pitch (mm)	0.207 x 0.207	0.0675 x 0.2025	0.24 x 0.24	0.29 x 0.29
	Viewing Angle (H-V)	160° / 140°	140°/120°	160° /140°	160° / 150°
	Backlight MTBF (Hrs)	50000	50000	50000	70000
Touchscreen & Controller		5-wire resistive single touch window/ Penmount 6000		5-wire resistive single touch window/ Penmount 6000 2-point projected capacitive touch window/ EETI EXC7200	
I/O Ports		1 x VGA (DB-15) 1 x DVI 1 x USB 2.0 (touch) 1 x RS-232 (reserved for resistive touch ATO) 1 x Lockable 12V DC jack		1 x VGA (DB-15) 1 x HDMI 1 x DisplayPort 1.1 1 x USB 2.0 (touch) 1 x RS-232 (reserved for resistive touch ATO) 1 x Lockable 9V-36V DC jack 1 x 9V-36V terminal block	
OSD	OSD Button	5-key membrane OSD keypad		7-key membrane OSD keypad	
	Smart OSD Software	Smart OSD Software			
Physical	Construction Material	Aluminum front frame and sheet metal rear cover			
	Mounting	Panel Mount/ Rack Mount 75 x 75 VESA Mount		Panel Mount/ Rack Mount/ 100 x 100 VESA Mount	
	Enclosure Color	Black C			
	Dimensions (mm)	191.8 x 154.36 x 42.88	222.2 x 182.2 x 42.7	262.2 x 322.2 x 40.5	303 x 378.5 x 43.2
	Cutout Dimensions (mm)	180 x 140	206 x 154	244.8 x 304.8	285.6 x 361.1
	Weight (kg) Net/Gross	1.1/2.6	1.33/4.5	2.7 / 4.9	3.5 / 5.5
Environment	Operating Temperature (with air flow)	-20°C ~ 60°C (with air flow)		-20°C ~ 60°C	
	Storage Temperature	-20°C ~ 70°C			
	Humidity	10% to 95% (non-condensing)			
	IP Level	IP 65 compliant front panel			
	Safety and EMC	CE & FCC certified			
Power	Power Adapter	63040-010036-121-RS		60W 12V output with lockable jack (63040-010060-120-RS, optional)	
	Power Input	12V DC		9V~36V DC	

1

IEIMobile Solutions

2

Automation Panel PC Solutions

3

Healthcare Panel PC Solution

4

Industrial System

5

O'Ring Network Communication

6

Automation Control

7

Optional Peripherals

# Heavy Industrial Monitor

## 17"~24" DM-F IP65 Industrial Monitor

### Features

- Robust IP65 aluminum front bezel
- Aesthetic ultra-thin bezel for seamless panel mount installation
- Wide range 9V~36V DC input
- HDMI / DisplayPort / VGA flexible video input solution
- Projected capacitive multi-touch and resistive single touch options
- Wide temperature support



### Specifications

**New**

Model		DM-F17A	DM-F19A	DM-F22A	DM-F24A
LCD	LCD Display	17" (5:4)	19" (4:3)	21.5" (16:9)	24" (16:9)
	Max. Resolution	1280 (W) x 1024 (H)	1280 (W) x 1024 (H)	1920 (W) x 1080 (H)	1920 (W) x 1080 (H)
	Brightness (cd/m <sup>2</sup> )	350	350	250	250
	Contrast Ratio	1000 : 1	1000 : 1	1000 : 1	3000 : 1
	LCD Color	16.7M	16.7M	16.7M	16.7M
	Pixel Pitch (mm)	0.26 x 0.26	0.294 x 0.294	0.25 x 0.25	0.28 x 0.28
	Viewing Angle (H-V)	170° / 160°	170° / 160°	170° / 160°	178° / 178°
	Backlight MTBF (Hrs)	50000	50000	30000	30000
Touchscreen & Controller		5-wire resistive single touch window/ Penmount 6000 2-point projected capacitive touch window/ EETI EXC7200		2-point projected capacitive touch window/ EETI EXC7200	2-point projected capacitive 2-point touch window/ EETI EXC7200
I/O Ports		1 x VGA (DB-15) 1 x DVI (F19A only) 1 x HDMI (F17A only) 1 x DisplayPort 1.1 1 x USB 2.0 (touch) 1 x RS-232 (reserved for resistive touch ATO) 1 x Lockable 9V-36V DC jack 1 x 9V-36V terminal block		1 x VGA (DB-15) 1 x HDMI 1 x DisplayPort 1.1 1 x USB 2.0 (touch) 1 x RS-232 (reserved for resistive touch ATO) 1 x Lockable 9V-36V DC jack 1 x 9V-36V terminal block	
OSD	OSD Button	7-key membrane OSD keypad			
	Smart OSD Software	Smart OSD Software			
Construction Material		Aluminum front frame and sheet metal rear cover			
Physical	Mounting	Panel Mount/ Rack Mount/ 100 x 100 VESA Mount	Panel Mount 100 x 100 VESA Mount	Panel Mount/ 100 x 100 VESA Mount	Panel Mount/ 100 x 100 VESA Mount
	Enclosure Color	Black C			
	Dimensions (mm)	341.4 x 408.4 x 49.3	372.4 x 447.4 x 49.57	358.4 x 550.4 x 49.1	382 x 600 x 49.4
	Cutout Dimensions (mm)	324 x 391	430 x 355	340 x 532	358.6 x 576.6
	Weight (kg) Net/ Gross	4.4 / 7.1	5.4 / 8.4	6.3 / 9.6	7.6 / 10.9
Environment	Operating Temperature (with air flow)	-20°C ~ 60°C		-10°C ~ 50°C	-10°C ~ 50°C
	Storage Temperature	-20°C ~ 70°C		-20°C ~ 60°C	-20°C ~ 60°C
	Humidity	10% to 95% (non-condensing)			
	IP Level	IP 65 compliant front panel			
Safety and EMC		CE & FCC certified			
Power	Power Adapter	60W 12V output with lockable jack (63040-010060-120-RS, optional)			
	Power Input	9V~36V DC			

1 IEMobile Solutions

2 Automation Panel Solutions

3 Healthcare Panel PC Solution

4 Industrial System

5 ORing Network Communication

6 Automation Control

7 Optional Peripherals

## Ordering Information

	PN	Description
6.5"	DM-F65A/R-R10	6.5" 800 cd/m <sup>2</sup> high-luminance VGA LCD monitor with aluminum die casting front panel, black color, USB resistive touchscreen, R10
8"	DM-F08A/R-R10	8" 500 cd/m <sup>2</sup> SVGA LCD monitor, Aluminum front panel, Black color, W/ USB resistive touch screen, 12V DC input, R10
12"	DM-F12A/R-R11	12" 600 cd/m <sup>2</sup> XGA LCD monitor, aluminum front panel, black color, W/ USB resistive touchscreen, 9 ~36V DC input, R11
	DM-F12A/PC-R11	12" 600 cd/m <sup>2</sup> XGA LCD monitor, aluminum front panel, black color, W/ USB projected capacitive touchscreen, 9 ~36V DC input, R11
15"	DM-F15A/R-R20	15" 450 cd/m <sup>2</sup> XGA LCD monitor, Aluminum front panel, black color, W/ USB resistive touchscreen, 9 ~36V DC input, R20
	DM-F15A/PC-R20	15" 450 cd/m <sup>2</sup> XGA LCD monitor, aluminum front panel, black color, W/ USB projected capacitive touchscreen, 9 ~36V DC input, R20
17"	DM-F17A/R-R11	17" 350 cd/m <sup>2</sup> SXGA LCD monitor, aluminum front panel, black color, W/ USB resistive touchscreen, 9 ~36V DC input, R11
	DM-F17A/PC-R11	17" 350 cd/m <sup>2</sup> SXGA LCD monitor, aluminum front panel, black color, W/ USB projected capacitive touchscreen, 9 ~36V DC input, R11
19"	DM-F19A/R-R10	19" 250 cd/m <sup>2</sup> SXGA LCD monitor, aluminum die casting front panel, black color, W/ USB resistive touchscreen, 9 ~36V DC input, R10
	DM-F19A/PC-R10	19" 250 cd/m <sup>2</sup> SXGA LCD monitor, aluminum die casting front panel, black color, W/ USB projected capacitive touchscreen, 9 ~36V DC input, R10
21.5"	DM-F22A/PC-R11	21.5" 250 cd/m <sup>2</sup> FHD LCD monitor, aluminum front panel, black color, W/ USB projected capacitive touchscreen, 9 ~36V DC input, R11
24"	DM-F24A/PC-R10	24" 250 cd/m <sup>2</sup> FHD LCD monitor, aluminum front panel, black color, W/ USB projected capacitive touchscreen, 9 ~36V DC input, R10

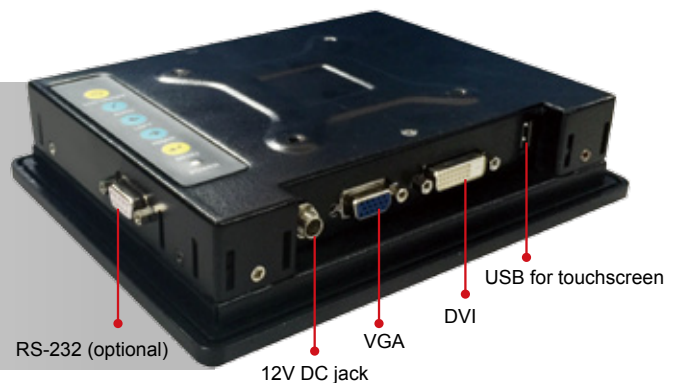
## Options

Item	DM-F65A	DM-F08A	DM-F12A	DM-F15A	DM-F17A	DM-F19A	DM-F22A	DM-F24A
Arm	ARM-11-RS		ARM-11-RS	ARM-31-RS	ARM-31-RS	ARM-31-RS	ARM-31-RS	ARM-31-RS
Stand	STAND-B08		STAND-A12-RS STAND-C12-R10	STAND-A19-RS STAND-C19-R10 STAND-A21-R10	STAND-A19-RS STAND-C19-R10 STAND-A21-R10	STAND-A19-RS STAND-C19-R10 STAND-A21-R10	STAND-A19-RS STAND-C19-R10 STAND-A21-R10	STAND-A19-RS STAND-C19-R10 STAND-A21-R10
Wall Mount Kit	AFLWK-12			WK-190MS-R10				
Panel Mount Kit	FPK-04-R10		FRK12-R10	FRK15-R10	FRK17-R10	FRK19-R10	FPK-02-R10	FPK-03-R10
Rack Mount Kit	FRK65-R10	FRK08-R10	FRK12-R10	FRK15-R10	FRK17-R10	FRK19-R10	N/A	N/A
Cable Cover	N/A	N/A	N/A	DM-F-CC01-R10	DM-F-CC01-R10	DM-F-CC02-R10	DM-F-COMKIT-R10	DM-F-COMKIT-R10
RS-232 Touch Cable Kit	DM-F-COMKIT-R10						N/A	N/A
HDMI Cable	N/A		32012-000100-200-RS					
DisplayPort Cable	N/A		32004-000200-100-RS					
DVI Cable	32000-086600-RS			N/A				

## Packing List

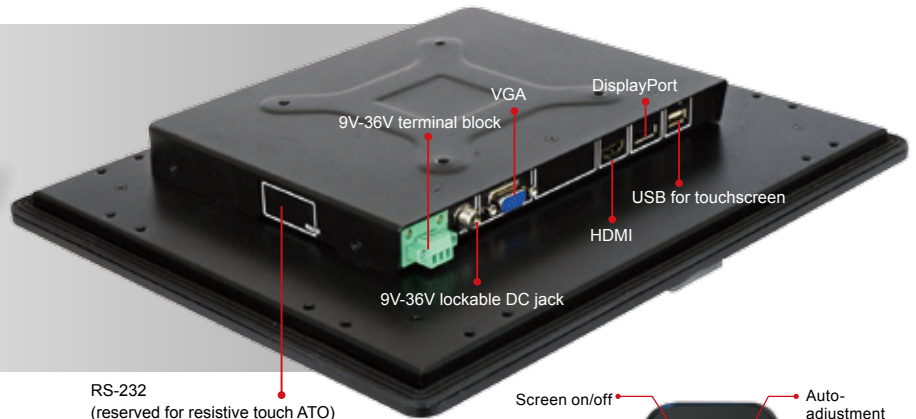
Item	P/N	Q'ty	Description
Utility CD		1	Drivers and user manual
Touch Pen	43125-0002C0-00-RS (DM-F65A/F08A/F12A/F15A/F17A/F19A only)	1	Resistive touch only
USB Cable	32001-006100-100-RS	1	For touchscreen
VGA Cable	32000-036200-RS	1	

## DM-F65A/08A

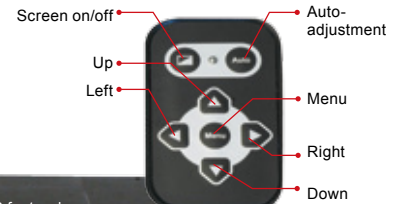


- 1 IEIMobile Solutions
- 2 Automation Panel Solutions
- 3 Healthcare Panel PC Solution
- 4 Industrial System
- 5 ORing Network Communication
- 6 Automation Control
- 7 Optional Peripherals

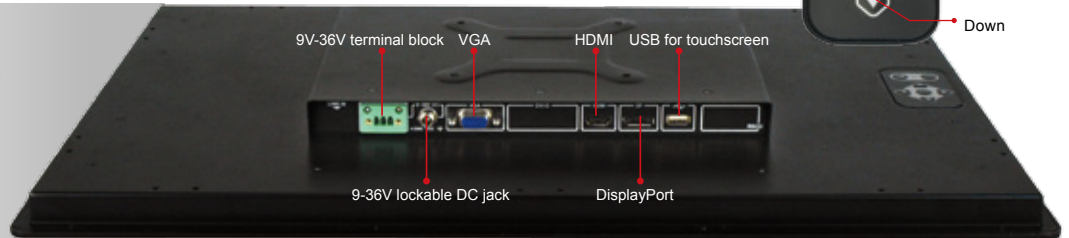
# DM-F12A/F15A/ F17A/F19A



RS-232  
(reserved for resistive touch ATO)



# DM-F22A/ F24A



1  
IEIMobile  
Solutions

2  
Automation  
Panel  
Solutions

3  
Healthcare  
Panel PC  
Solution

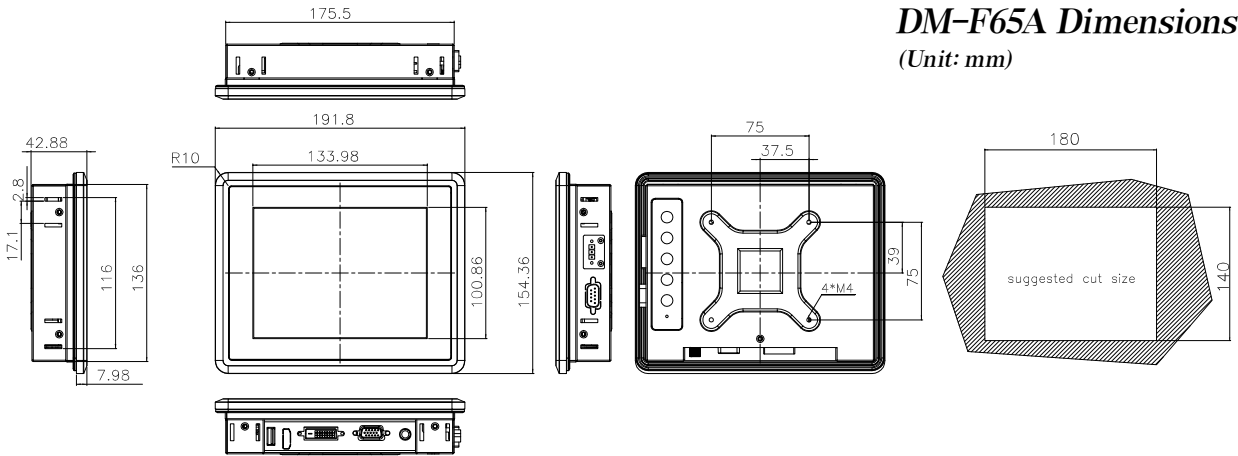
4  
Industrial  
System

5  
ORing  
Network  
Communication

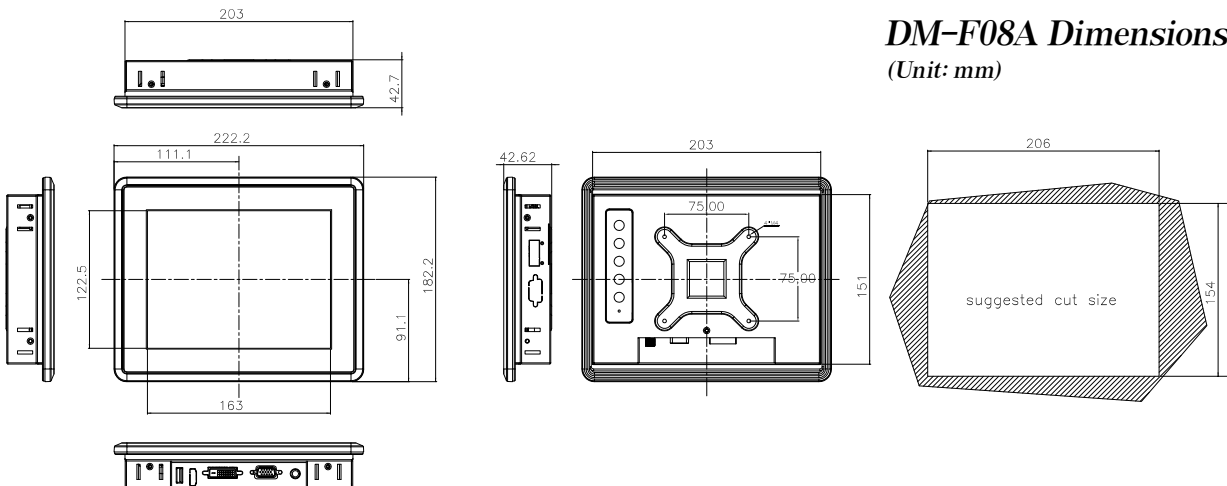
6  
Automation  
Control

7  
Optional  
Peripherals

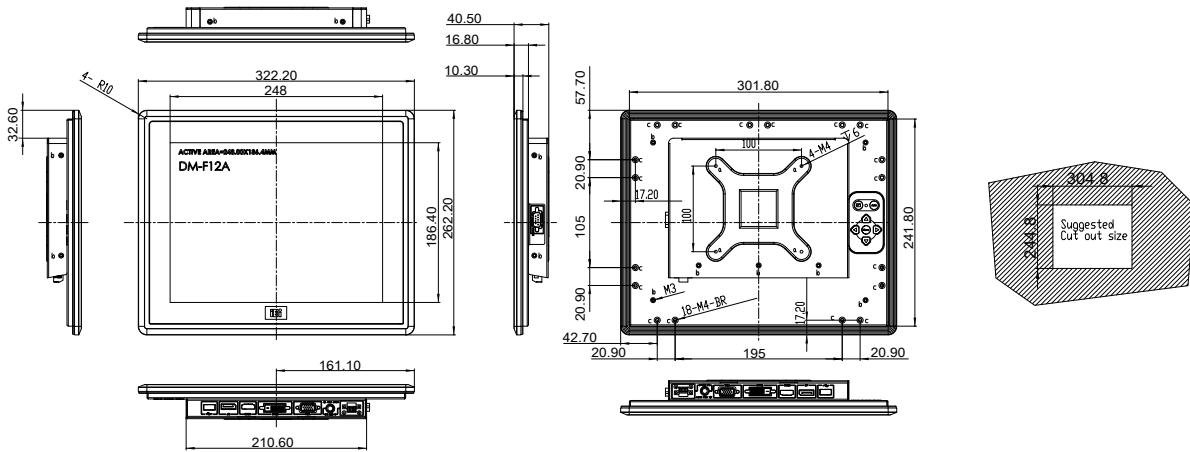
## DM-F65A Dimensions (Unit: mm)



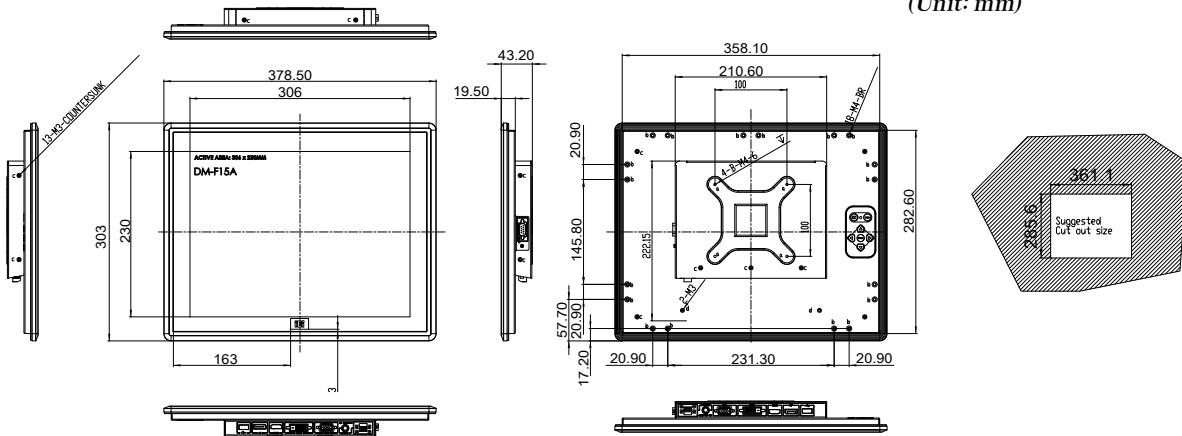
## DM-F08A Dimensions (Unit: mm)



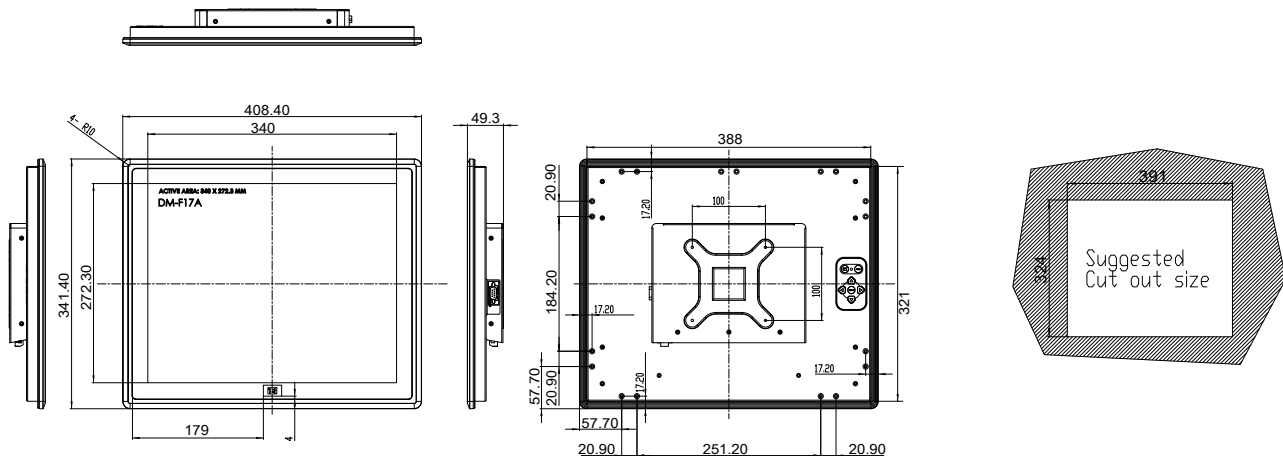
### DM-F12A Dimensions (Unit: mm)



### DM-F15A Dimensions (Unit: mm)



### DM-F17A Dimensions (Unit: mm)



1  
IEIMobile  
Solutions

2  
Automation  
Panel  
Solutions

3  
Healthcare  
Panel PC  
Solution

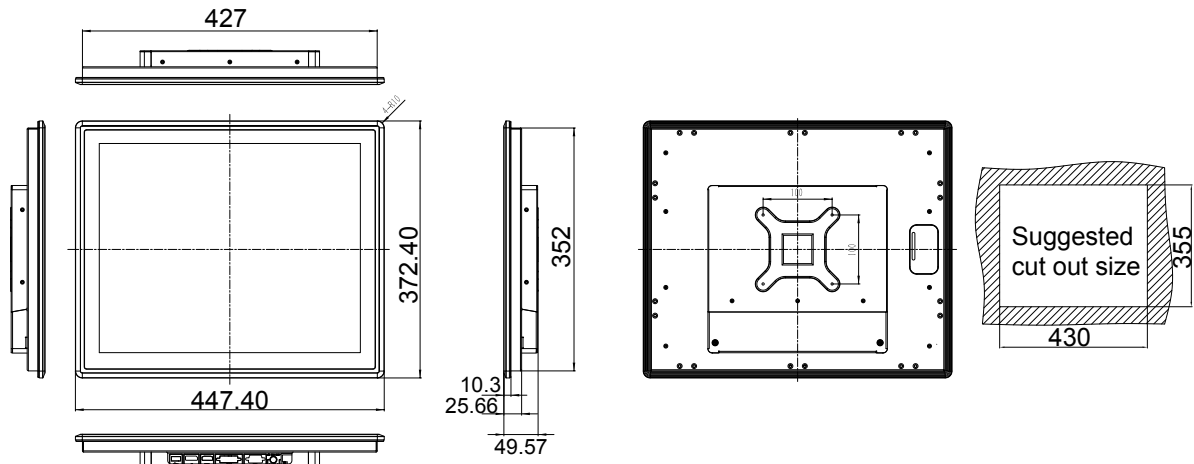
4  
Industrial  
System

5  
ORing  
Network  
Communication

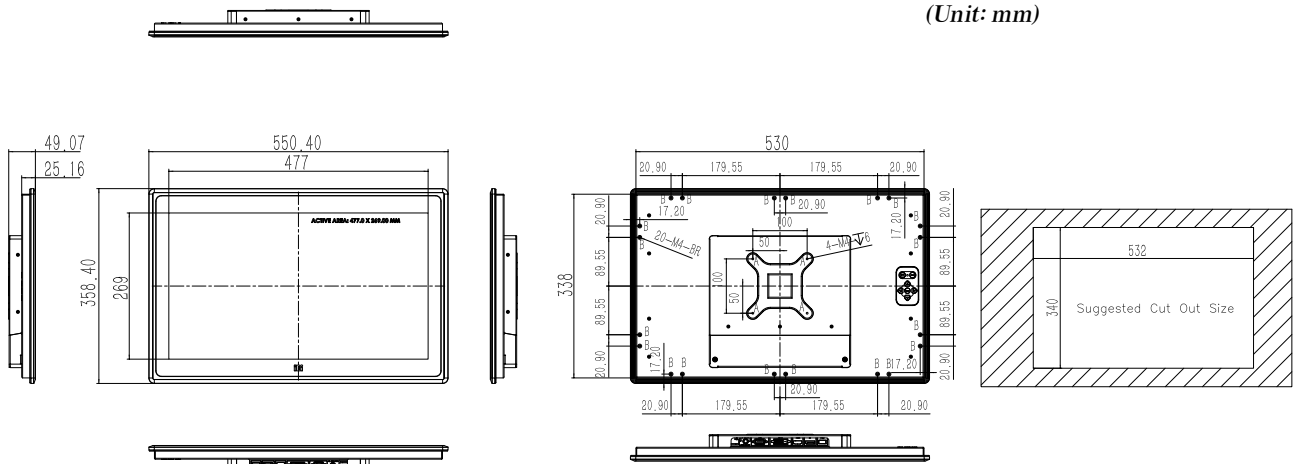
6  
Automation  
Control

7  
Optional  
Peripherals

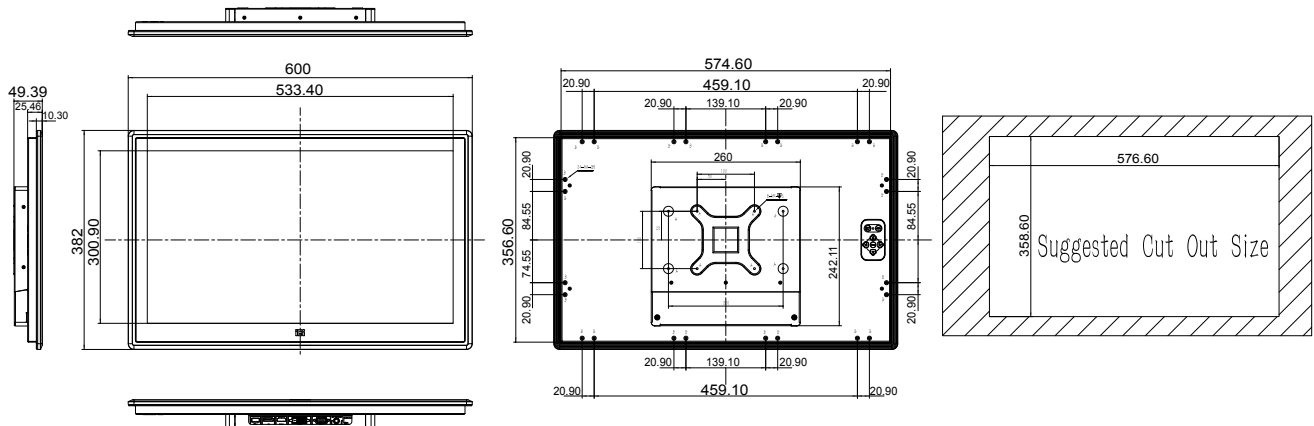
**DM-F19A Dimensions**  
(Unit: mm)



**DM-F22A Dimensions**  
(Unit: mm)



**DM-F24A Dimensions**  
(Unit: mm)



1  
IEMobile Solutions

2  
Automation Panel Solutions

3  
Healthcare Panel PC Solution

4  
Industrial System

5  
ORing Network Communication

6  
Automation Control

7  
Optional Peripherals